

Aufbauanleitung

LaserTV Lowboard Compact

Flat Pack Cabinet



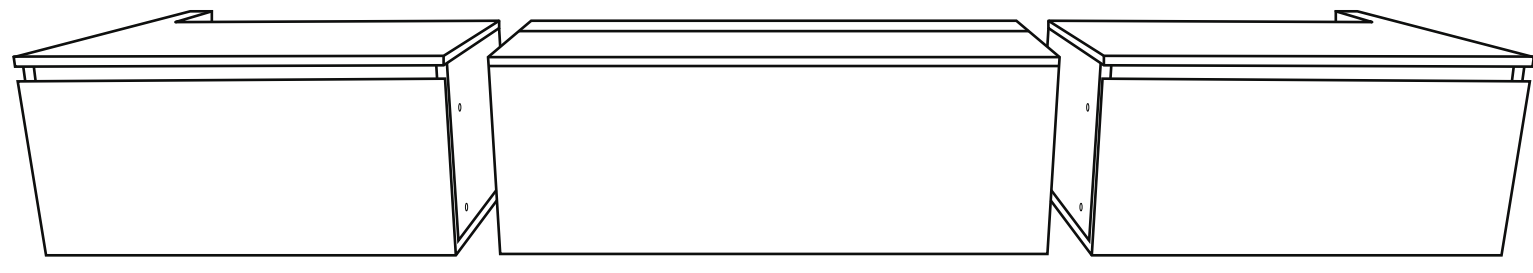
caution

1. Schauen Sie während des Betriebs nicht direkt in den Projektor.
2. Achten Sie darauf, dass sich keine Kabel im Bereich der verstellbaren Plattform befinden.
3. Bei einem plötzlichen Stromausfall müssen Sie die verstellbare Plattform zurücksetzen, da sie sich sonst nicht in der richtigen Position befindet.



Bitte zerlegen Sie das Produkt NICHT und entfernen Sie keine Teile davon.

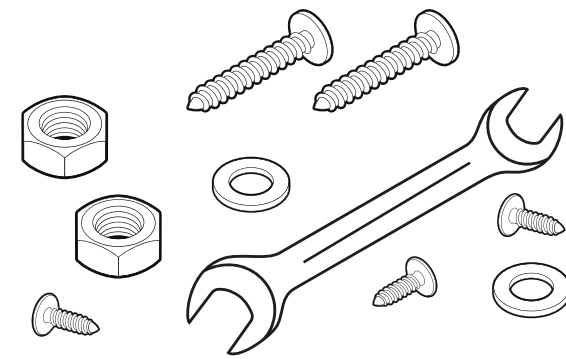
Expandable Laser TV Cabinet Accessories



Left Cabinet:
1 Pcs

Middle Cabinet:
1 Pcs

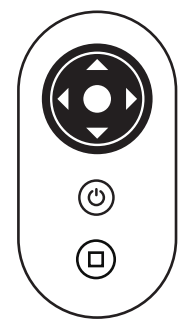
Right Cabinet:
1 Pcs



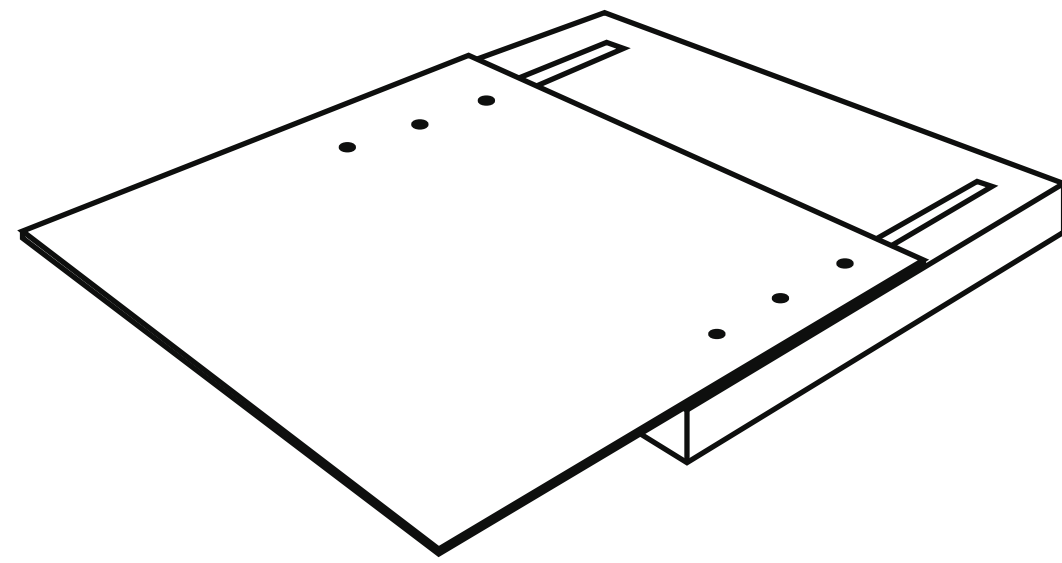
Hardware Accessories:
12 Packs



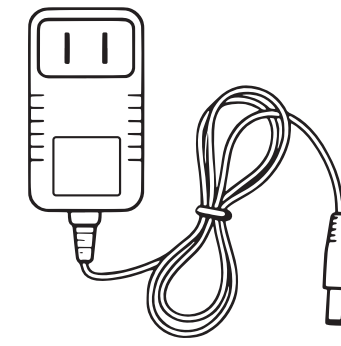
Floor Rising Screen
(Optional)*1



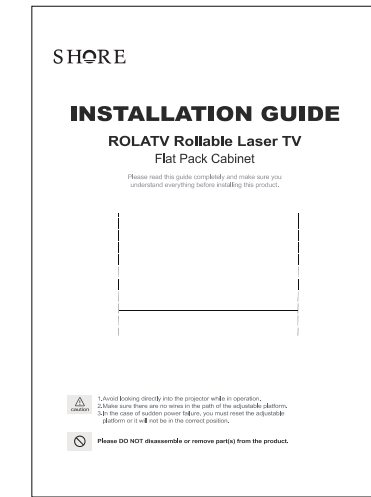
Signal Cable:
1 Pcs



Intelligent Sliding Tray*1
and its annexes



Power Cable:
1 Pcs

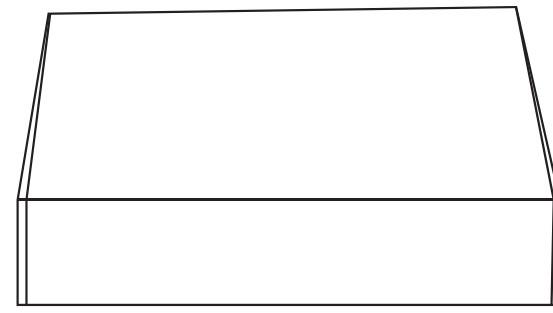


User Guide:
1 Pcs

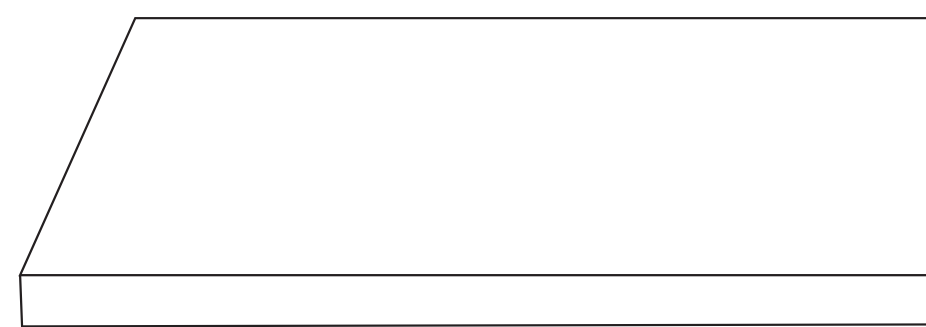
Laser TV Cabinet Installation Components and Final Assembly

5
Packages

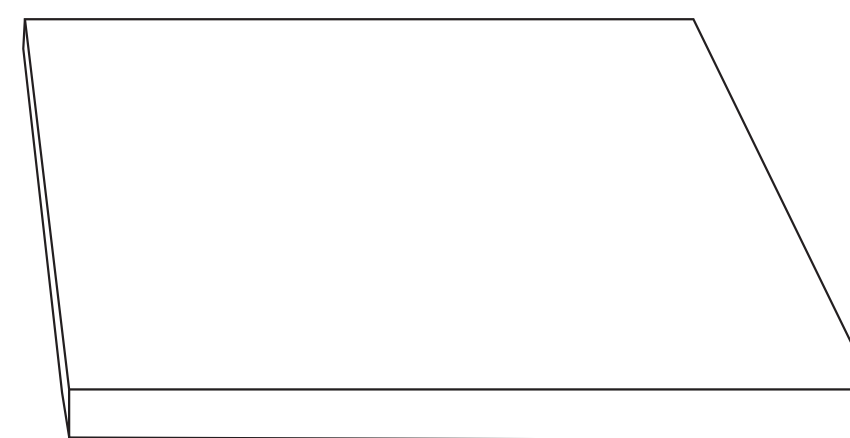
Hardware accessories



Telescopic platform



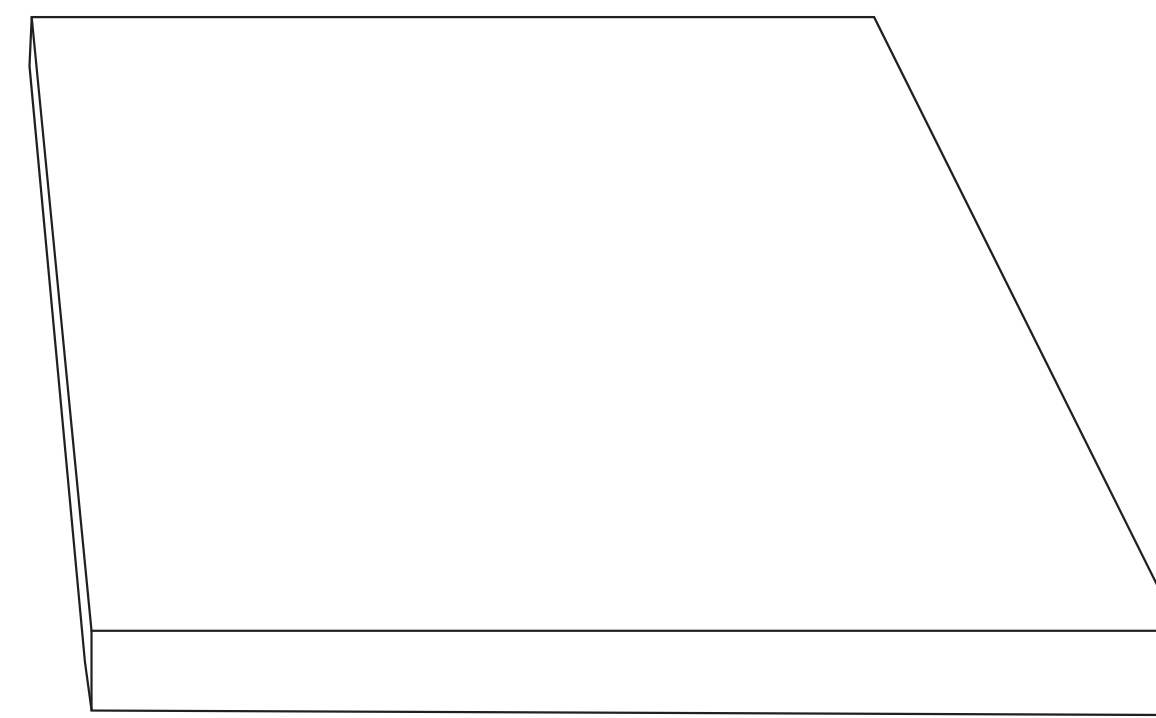
Left cabinet



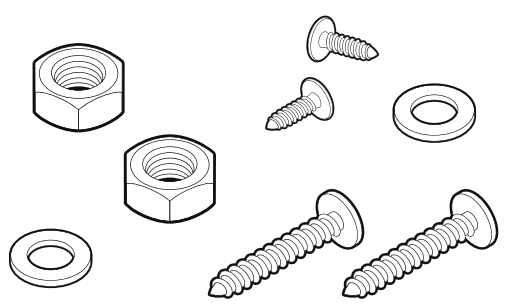
Middle cabinet



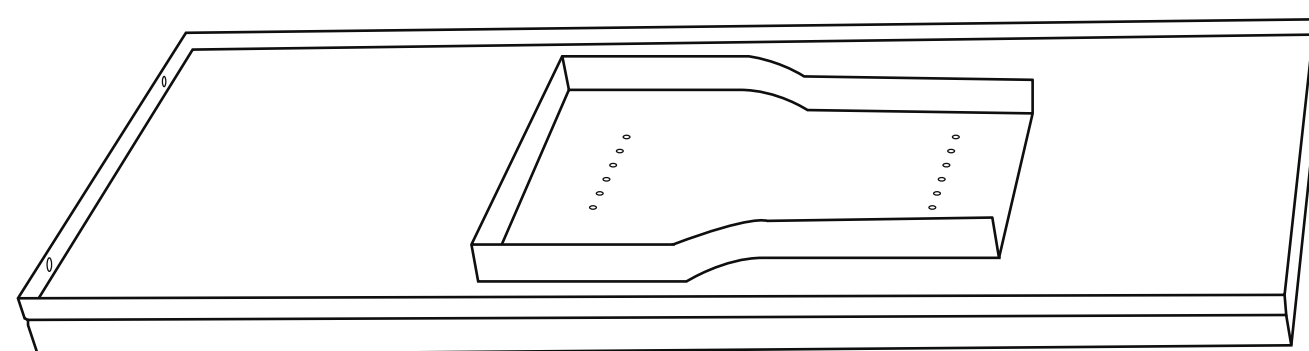
Right cabinet



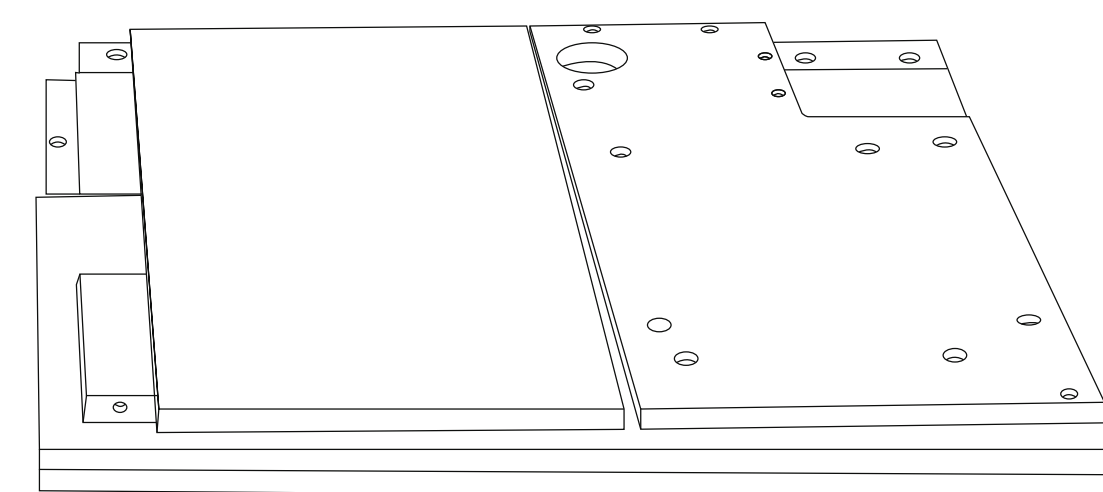
Accessories involved in the specific assembly



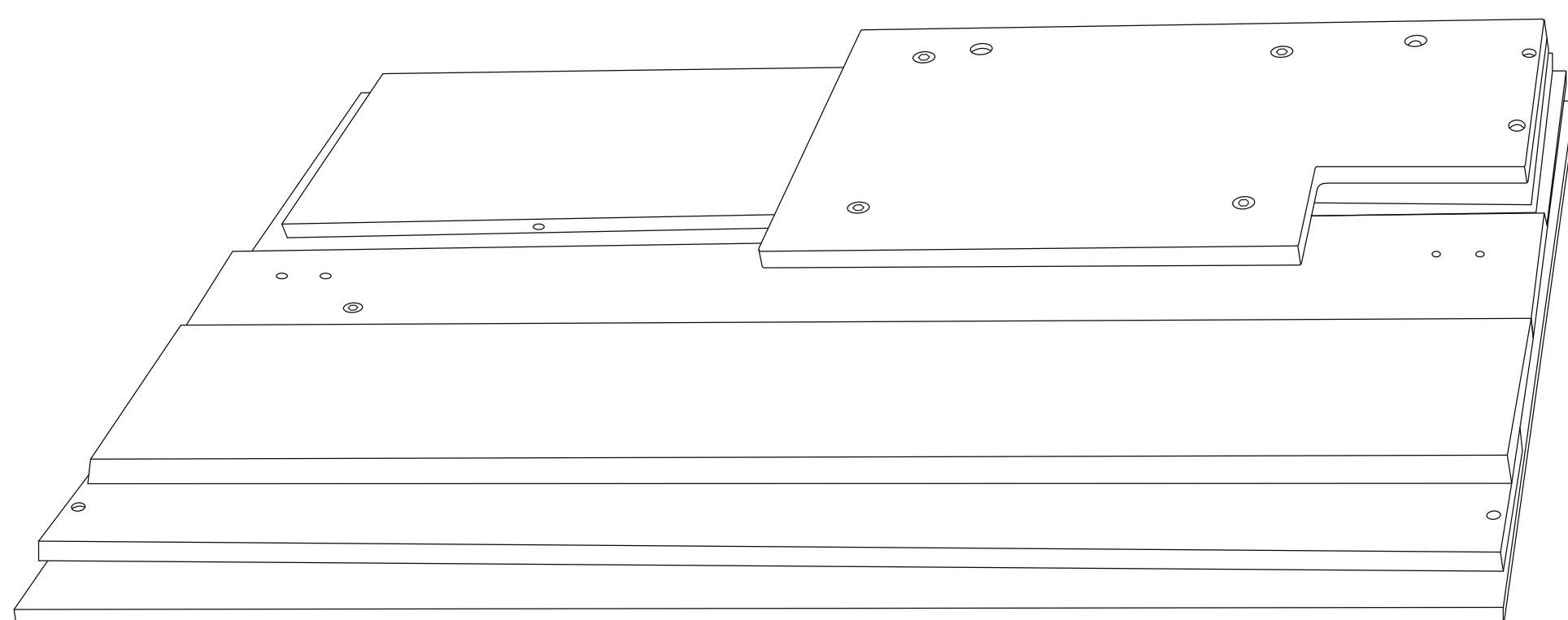
Hardware Accessories* 12 Packs



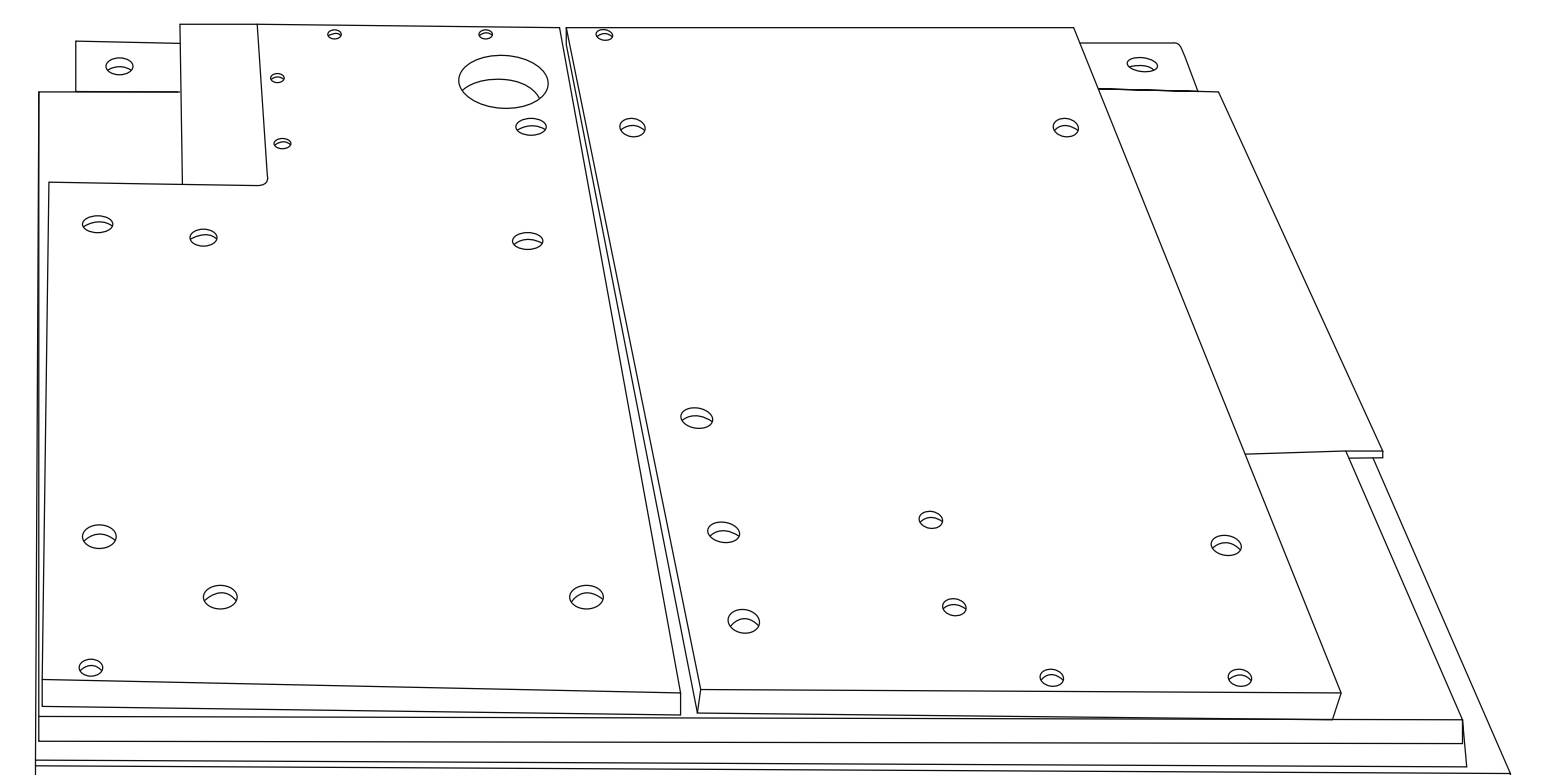
Telescopic Platform



Left Cabinet



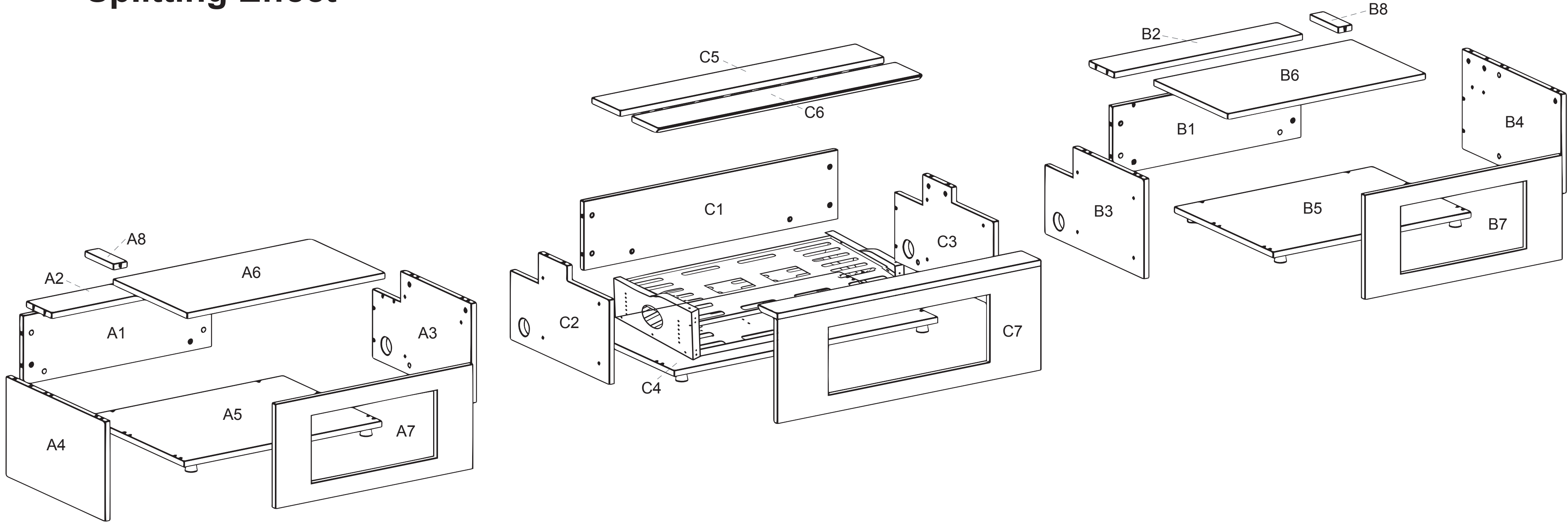
Middle Cabinet



Right Cabinet

Installation Steps

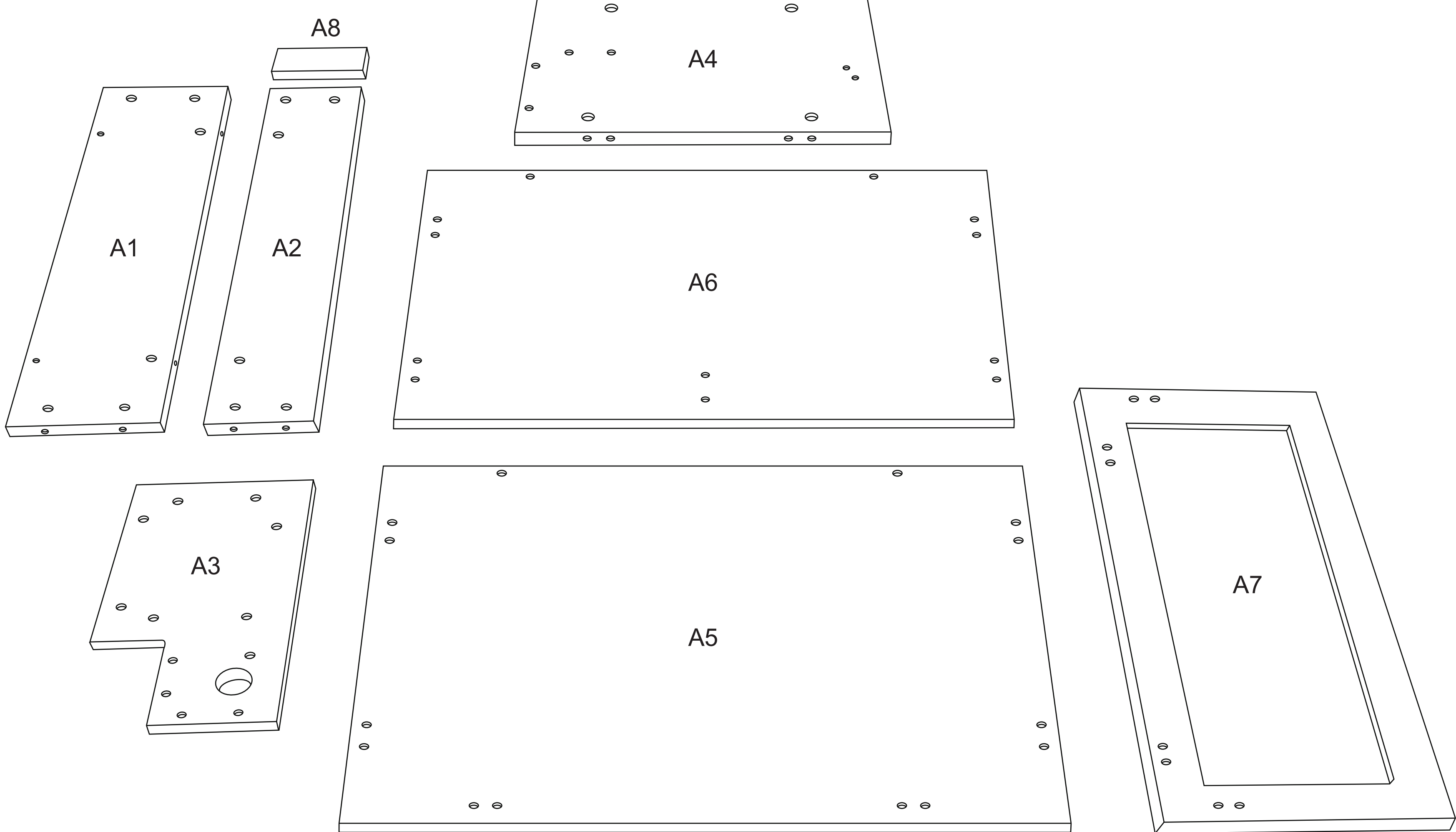
Overall Splitting Effect



1.1 Preliminary Preparation

Left Cabinets (Flat-Pack):

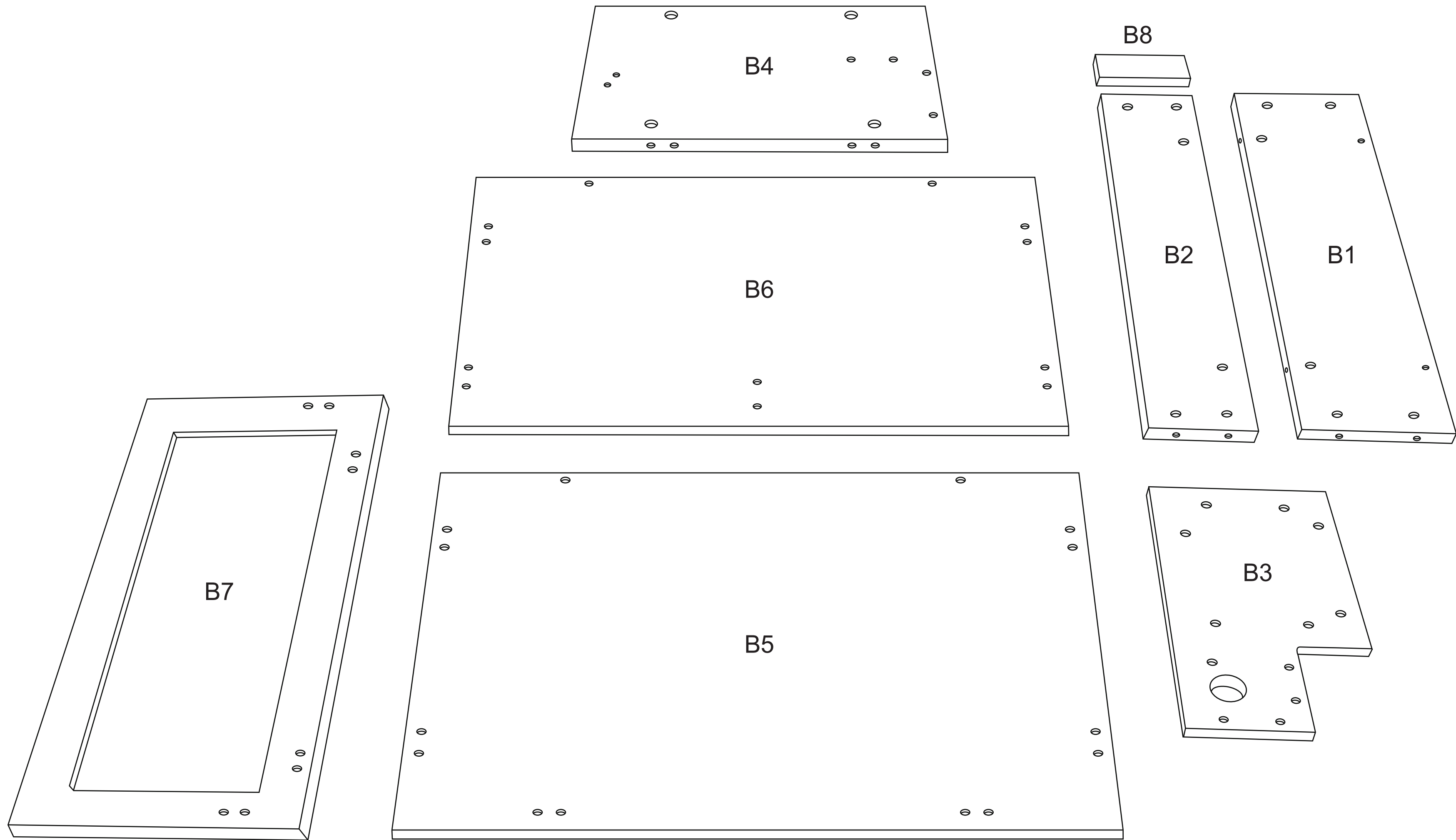
- Wear gloves before starting the installation.
- Follow the assembly sequence labeled A1, A2, A3, A4, A5, A6, A7, A8



This is the left cabinet, labeled as A.

Right Cabinets (Flat-Pack):

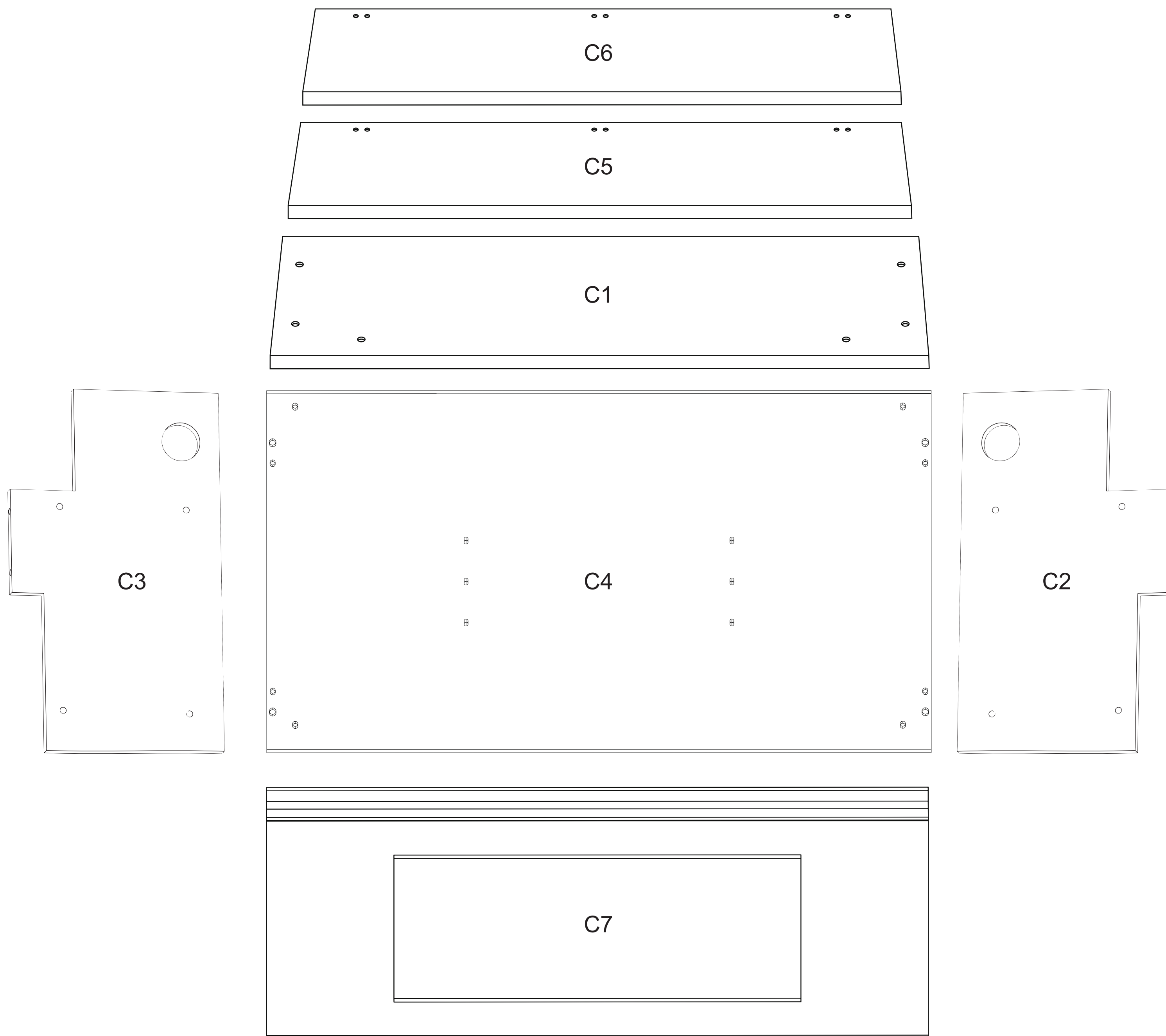
- Same installation as the left cabinet.
- Follow the assembly sequence labeled B1, B2, B3, B4, B5, B6, B7, B8



This is the right cabinet, labeled as B.

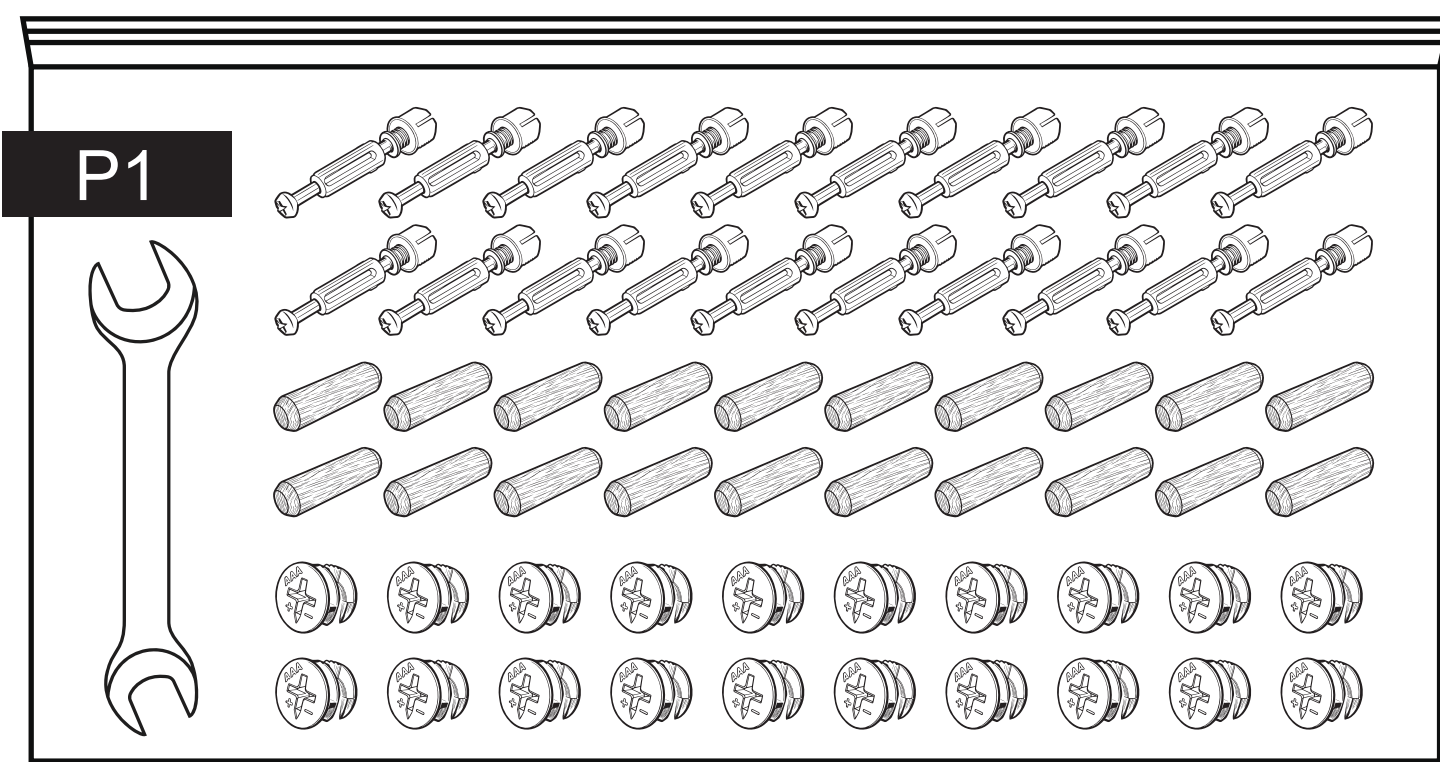
Middle Cabinet (Flat-Pack):

- Follow the assembly sequence labeled C1, C2, C3, C4, C5, C6, C7

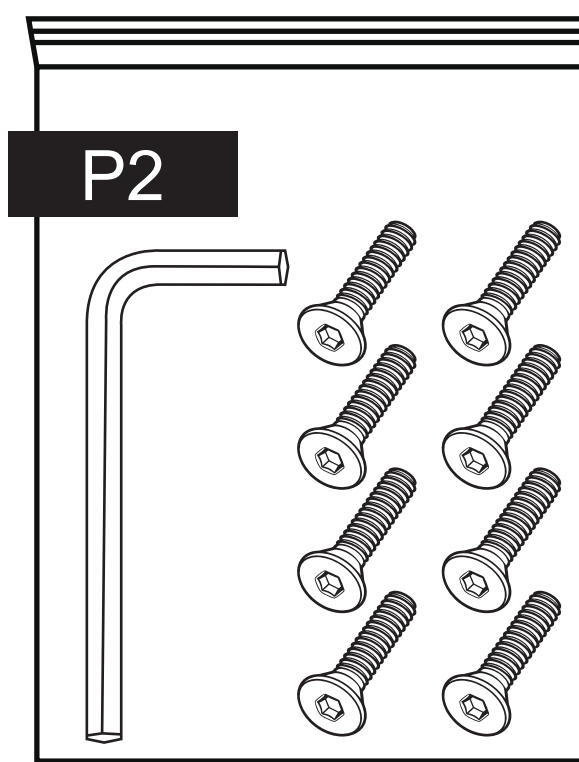


This is the middle cabinet, labeled as C.

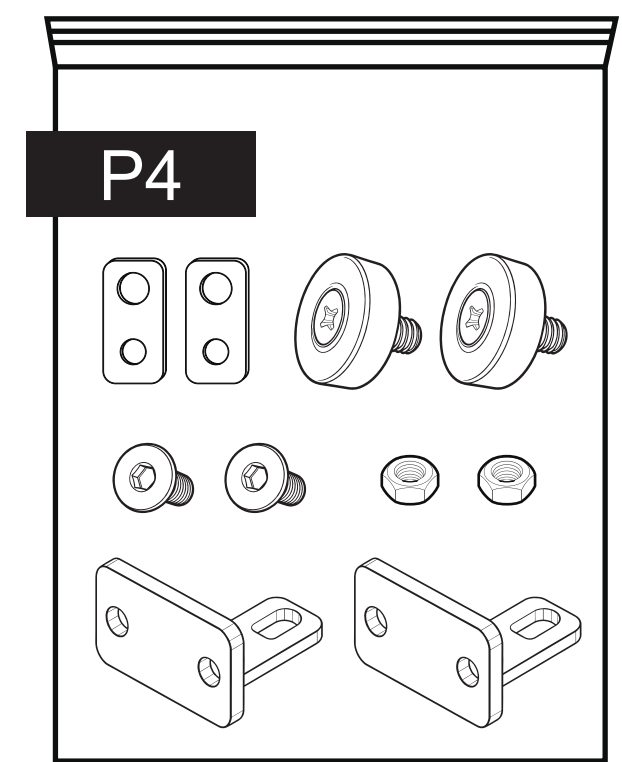
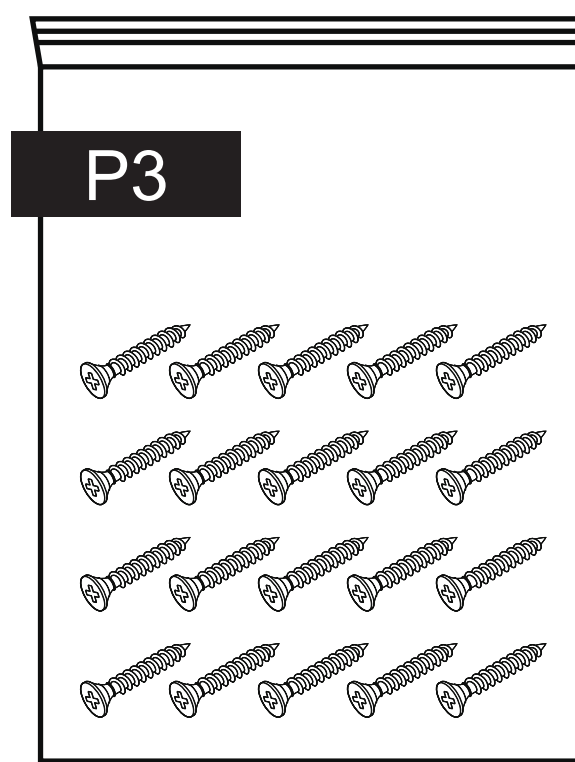
The specific components included in the kit are as follows:



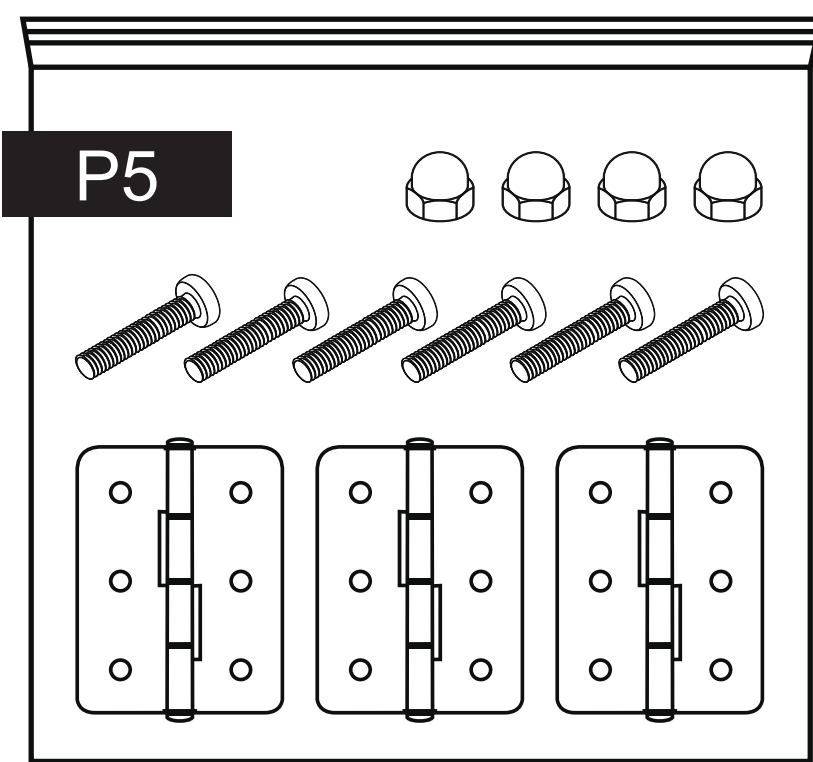
Three Cabinet Basic Accessories
(Three-in-One Eccentric Wheel & Wooden Plug)



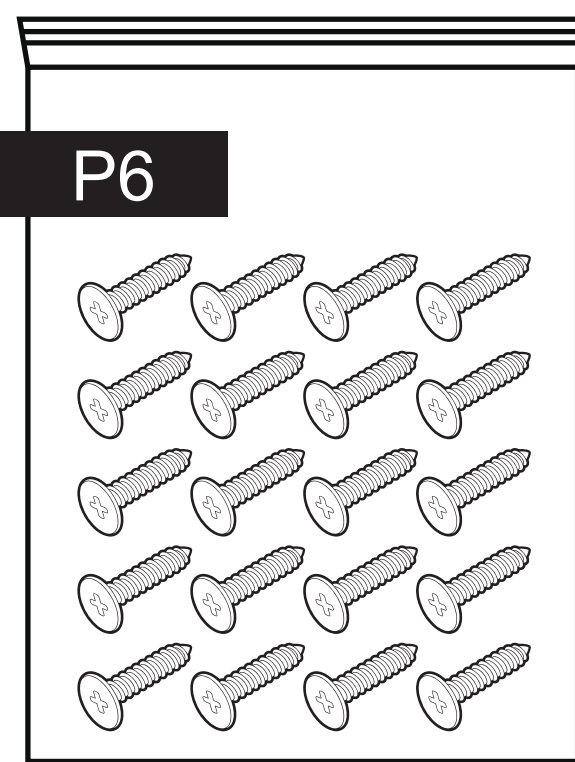
Three Cabinet Connecting
Fixing Screws



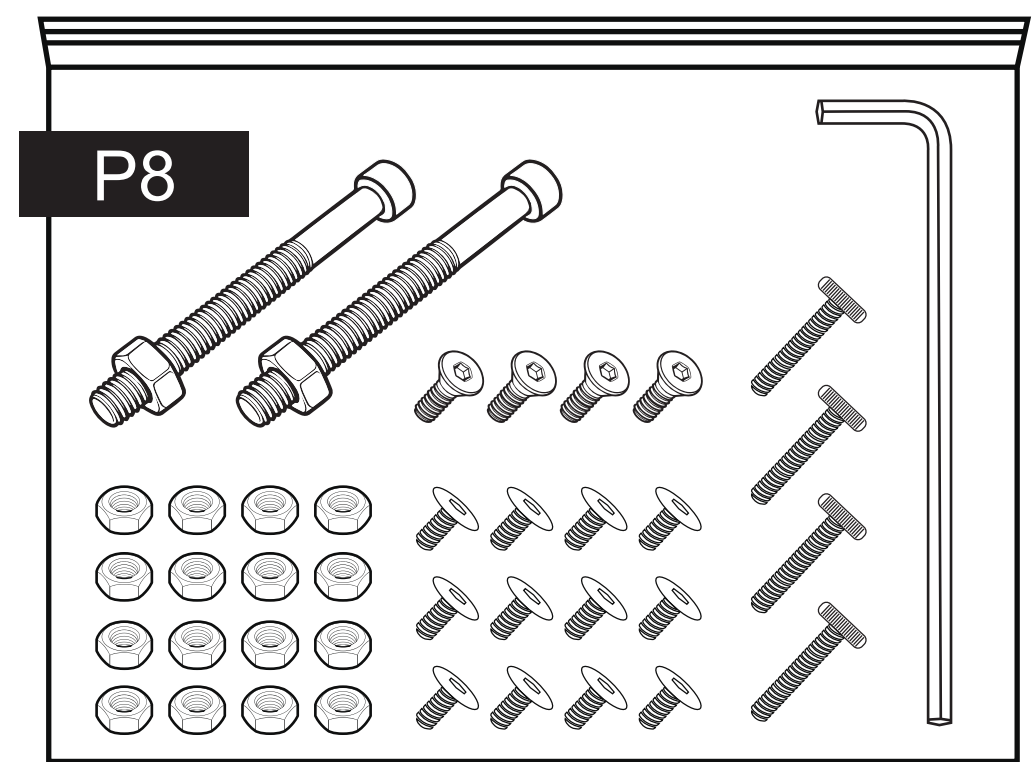
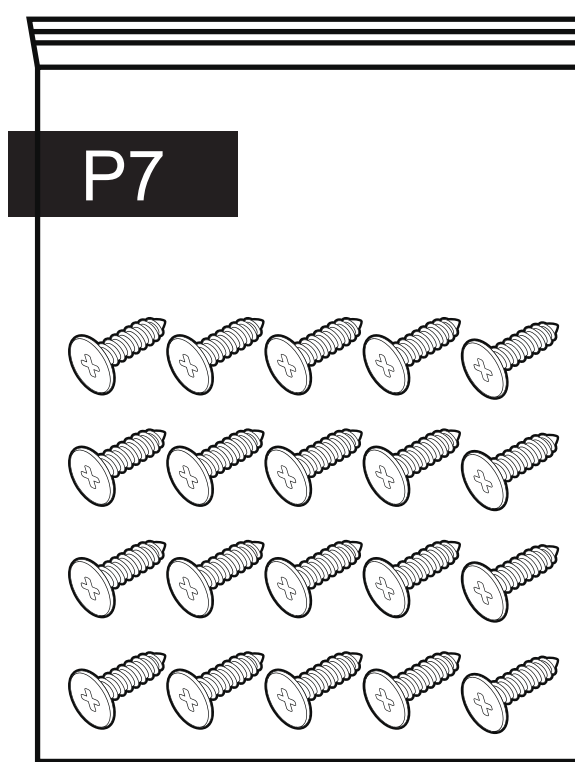
Hardware Component
Installation Accessories



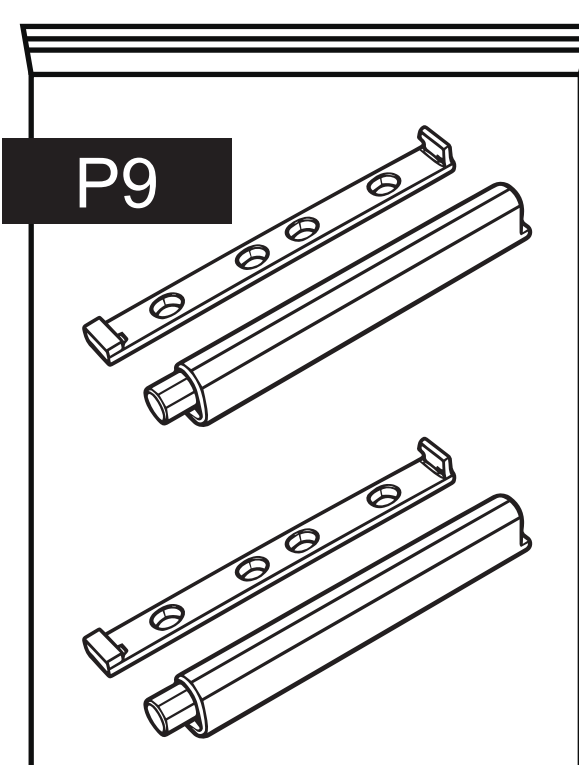
Top Panel Connecting Hinge,
Base Plate & Telescopic Connecting Screws



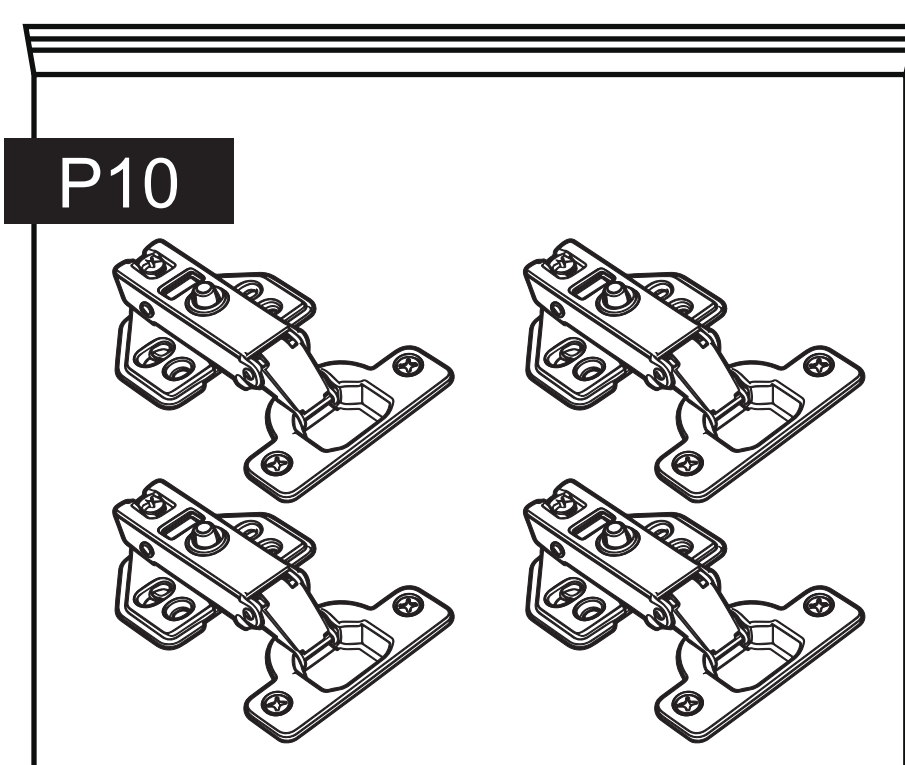
Self-tapping Screws



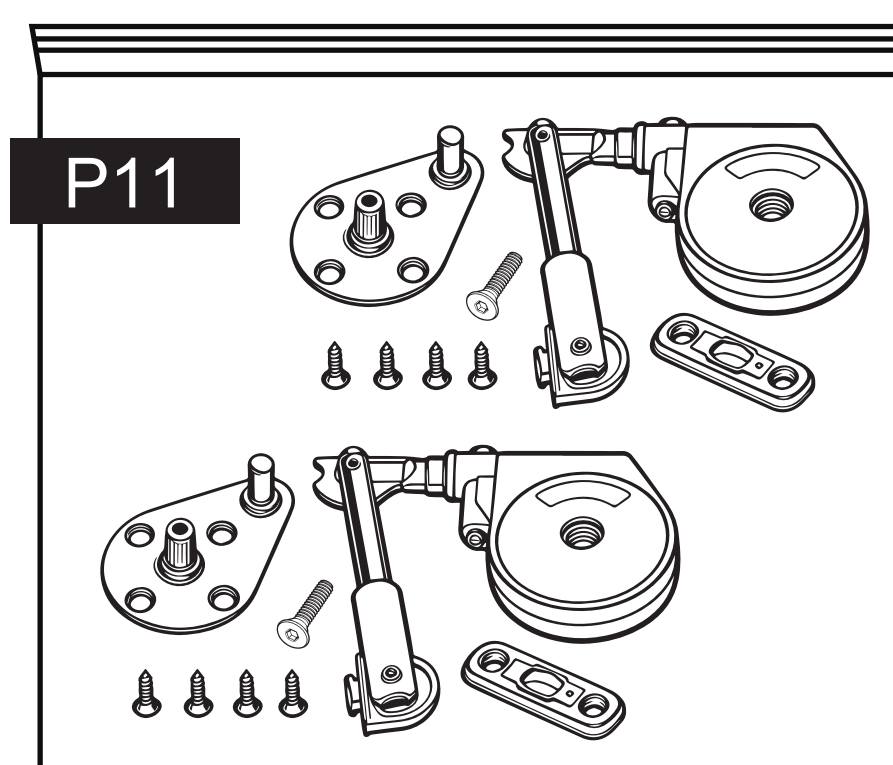
Hardware Component
Installation Accessories



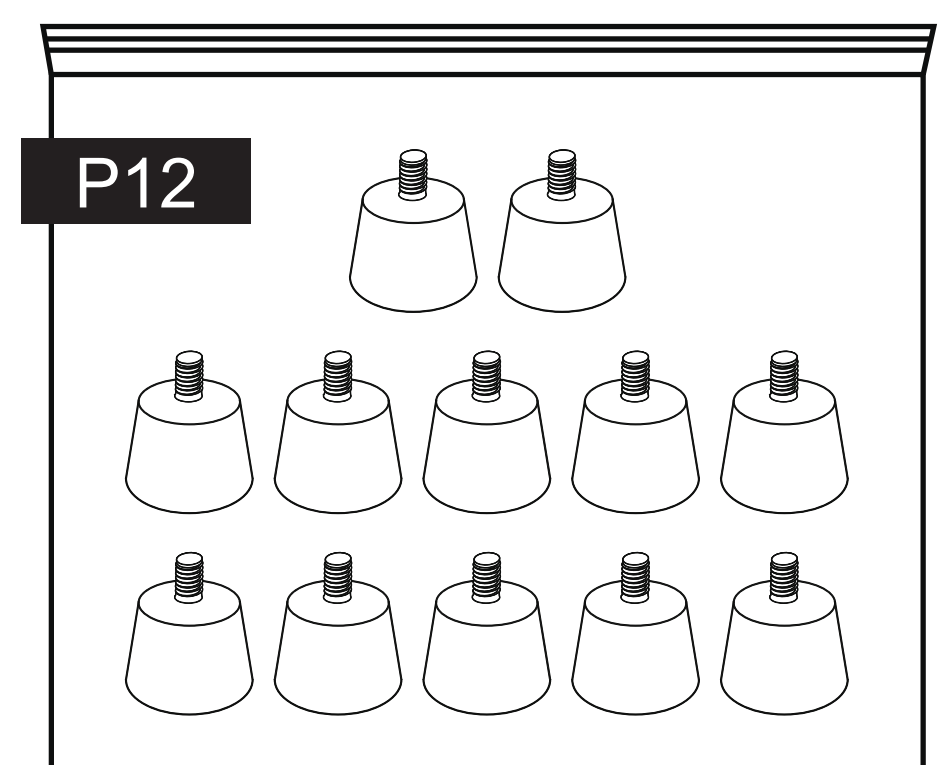
Left / Right Cabinet
Push-release Mechanism



Left / Right Cabinet
Damped Hinge

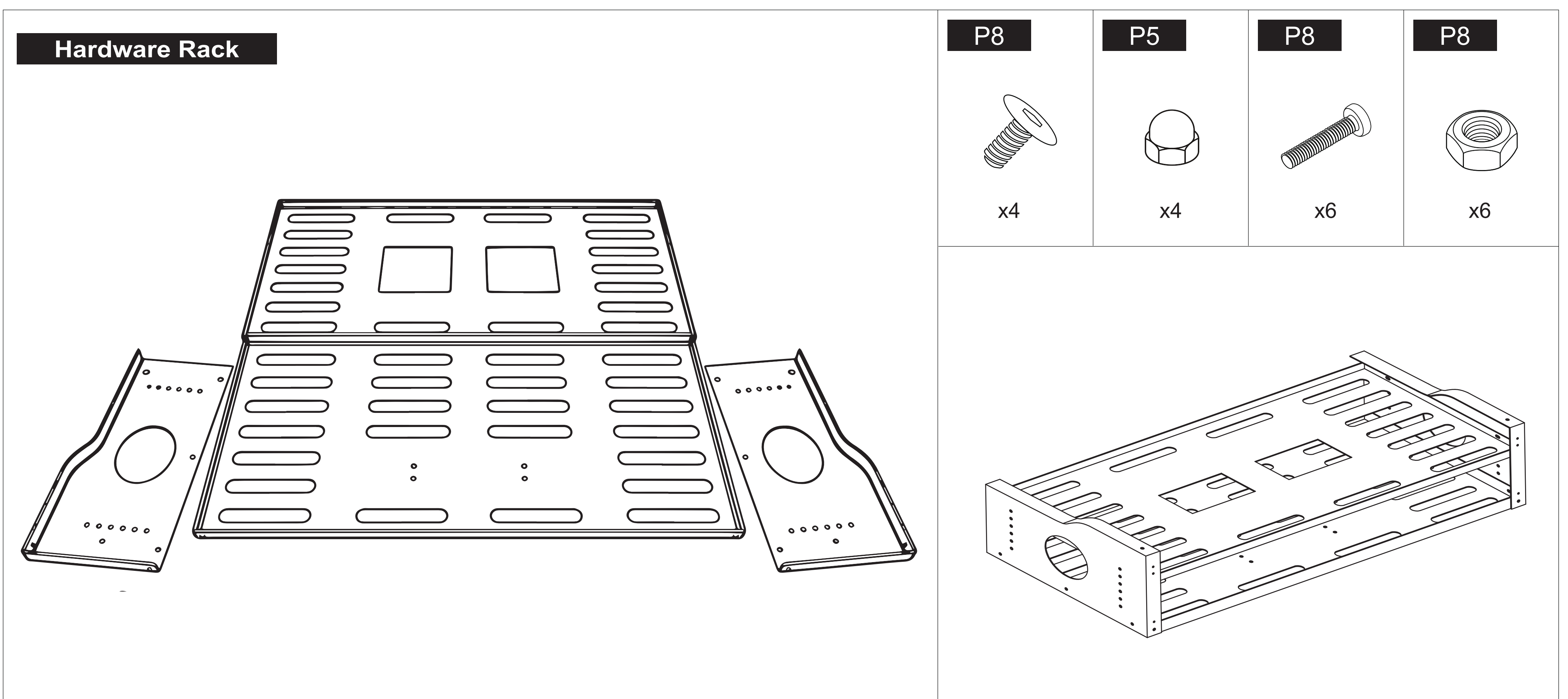


Left / Right Cabinet
Hydraulic Rods



Bottom Foot Pads

1.2 Installation

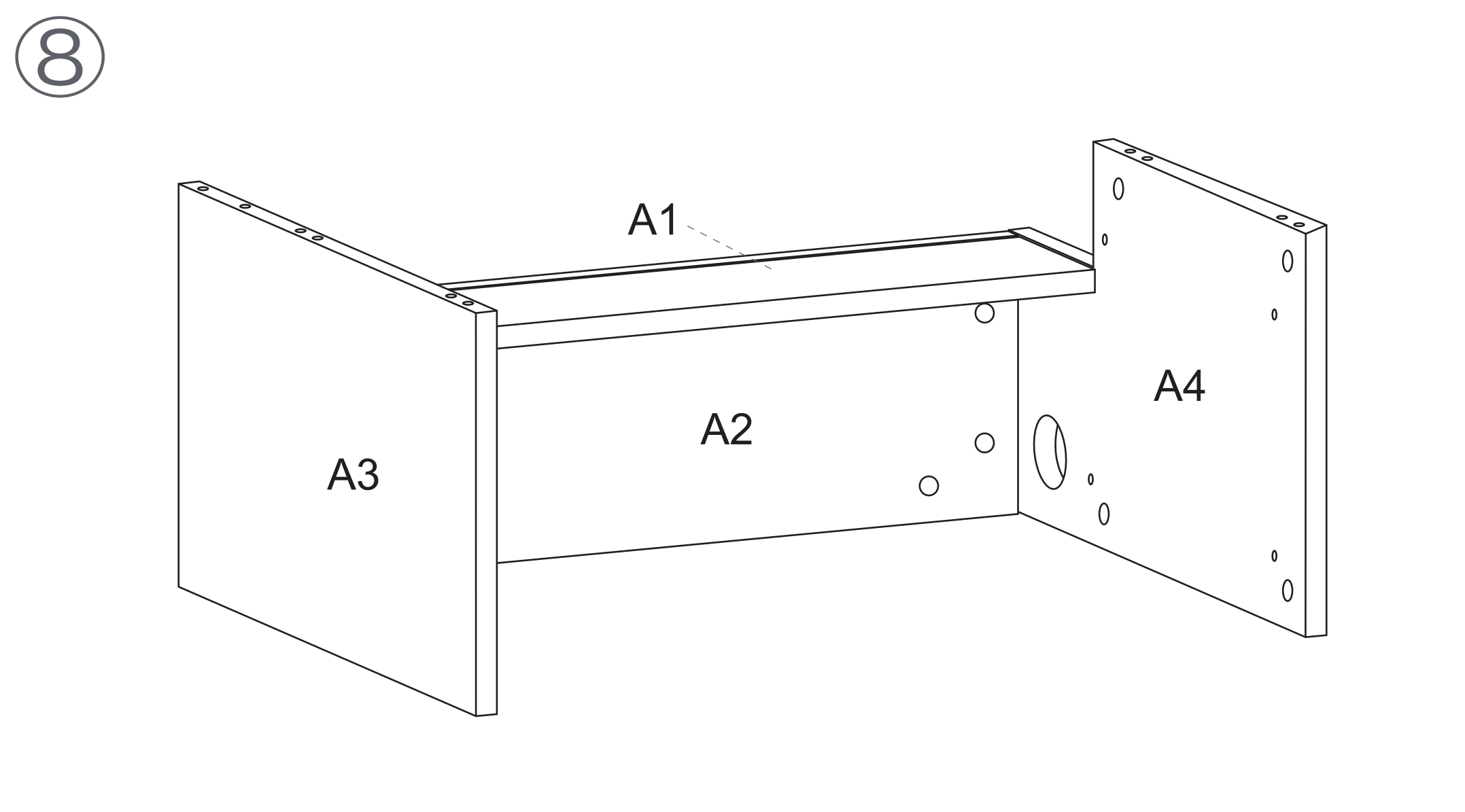
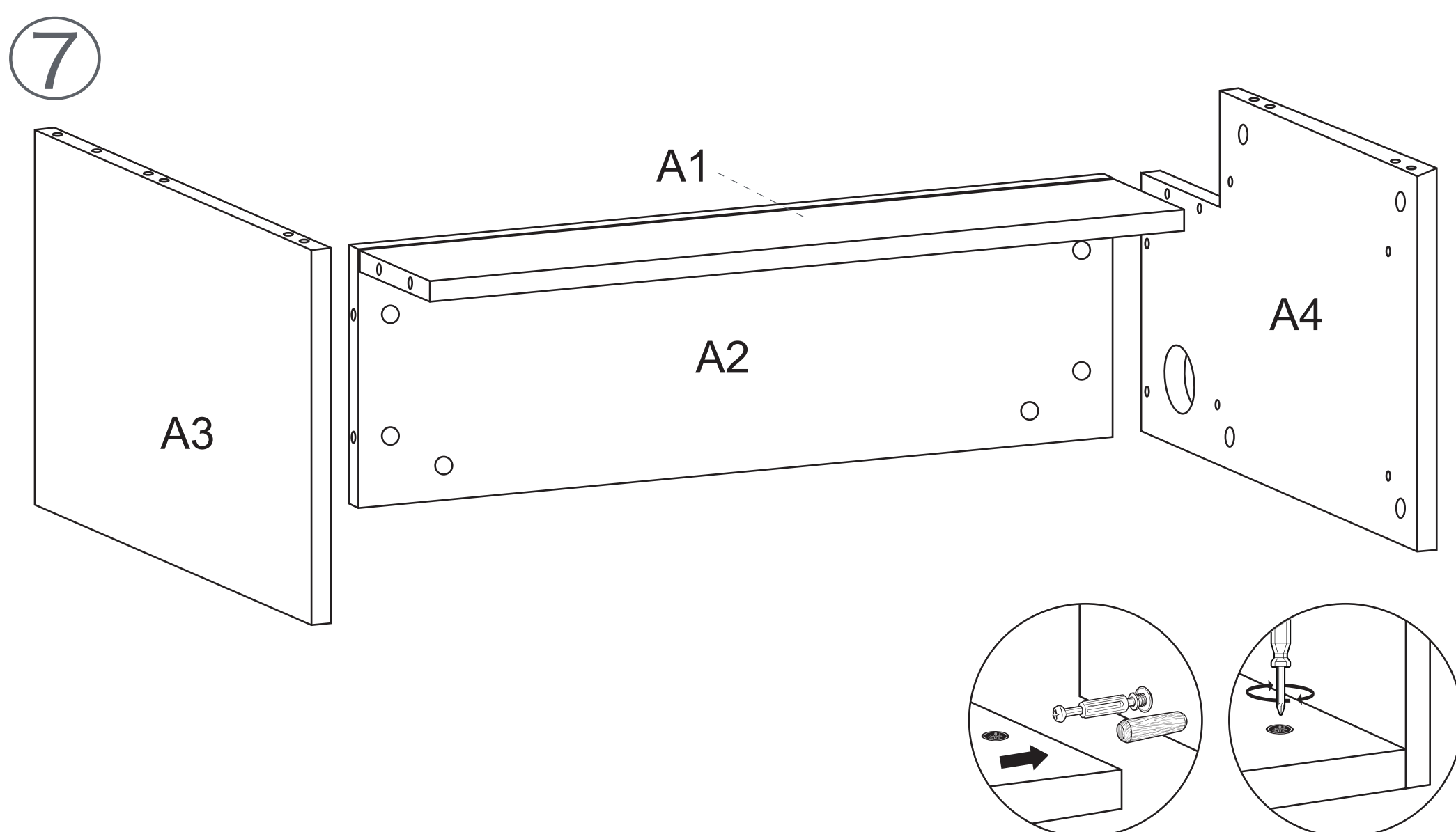
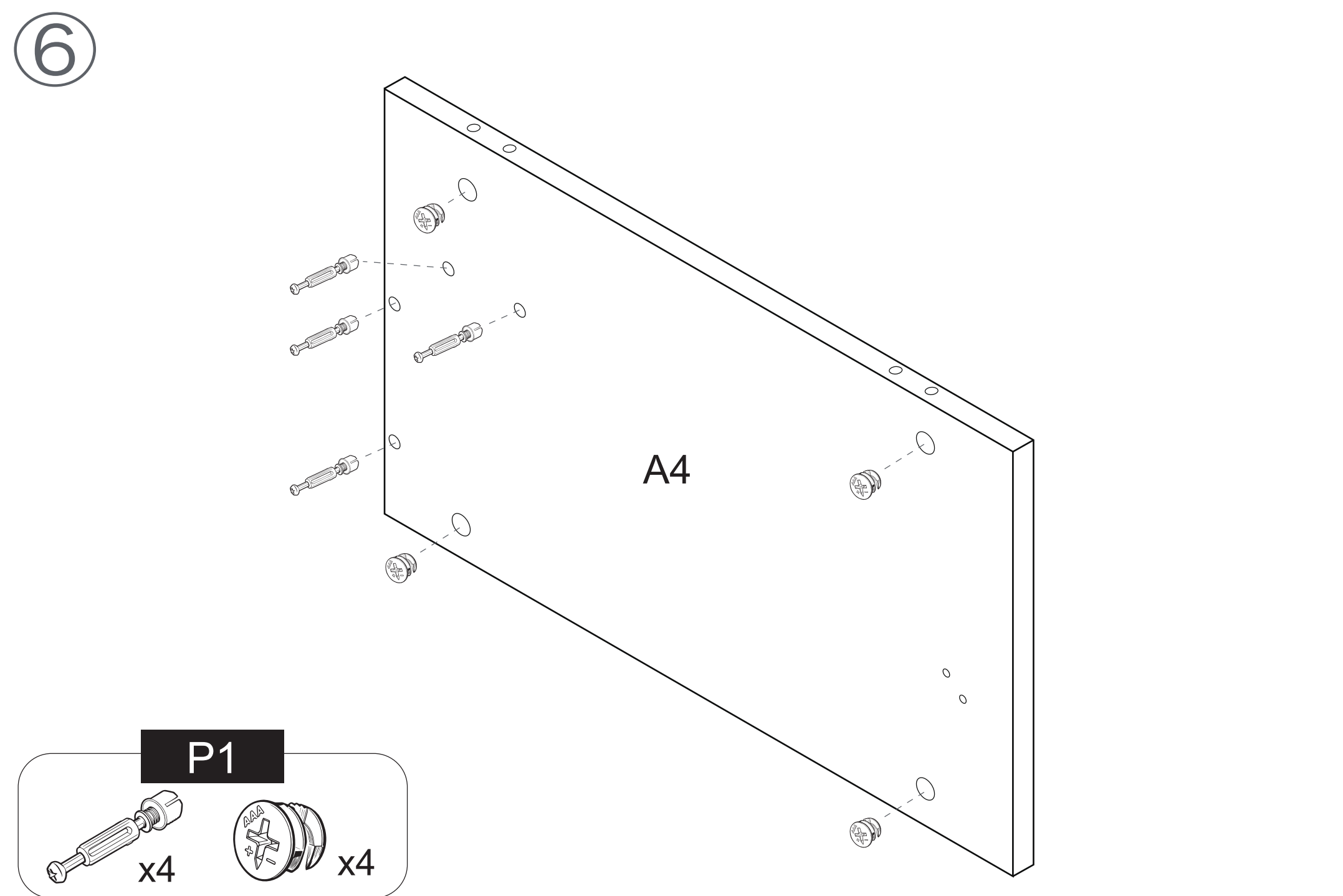
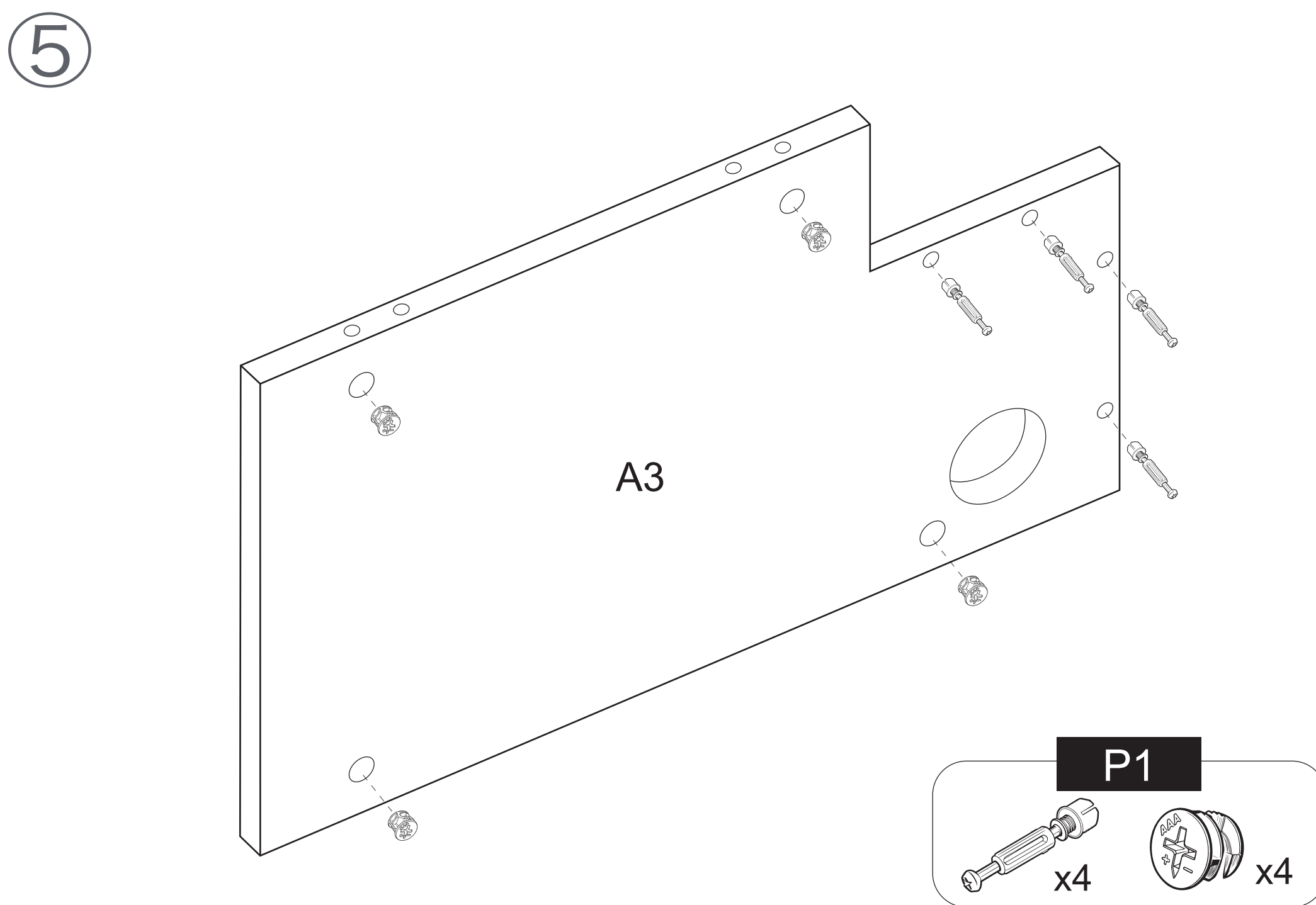
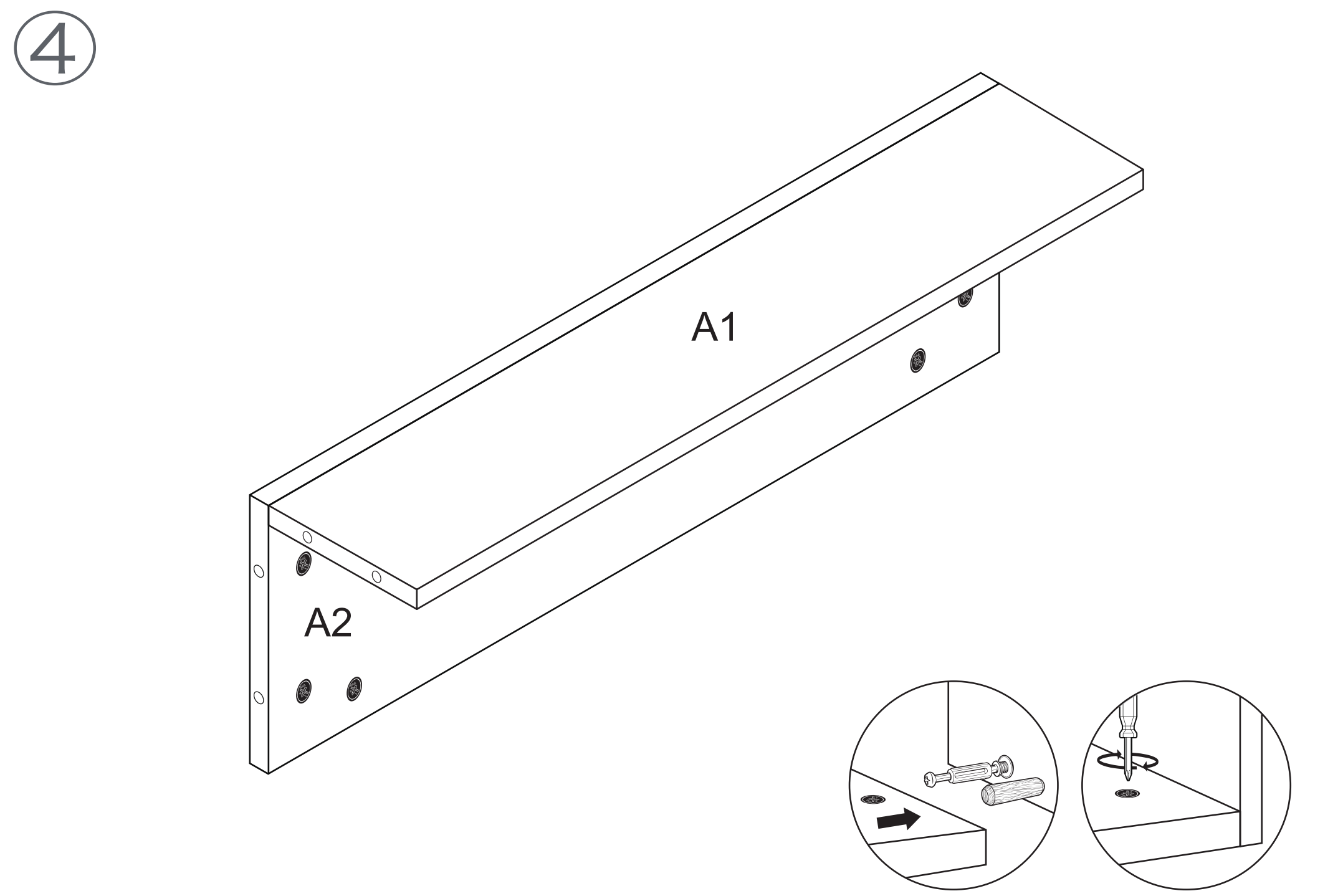
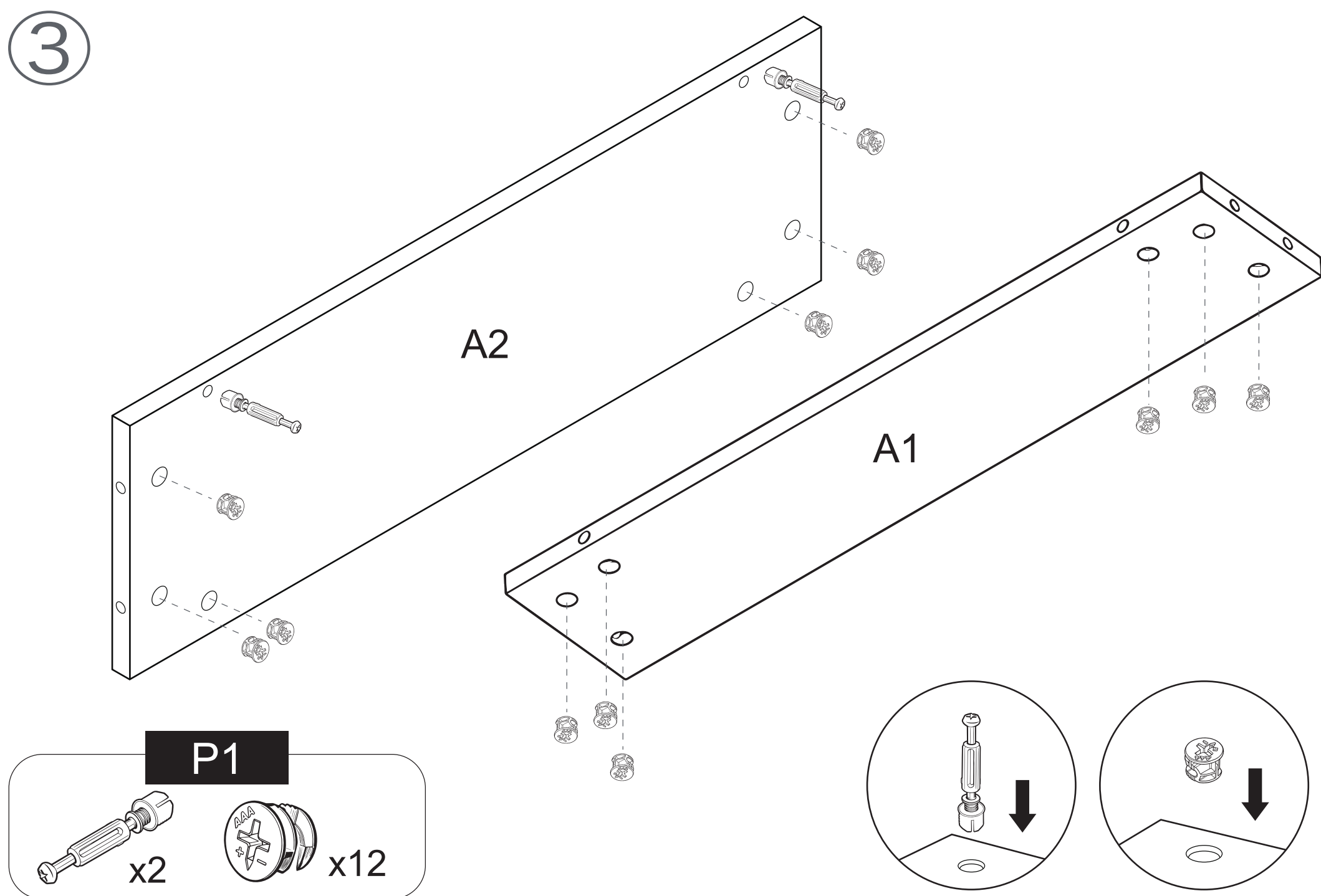
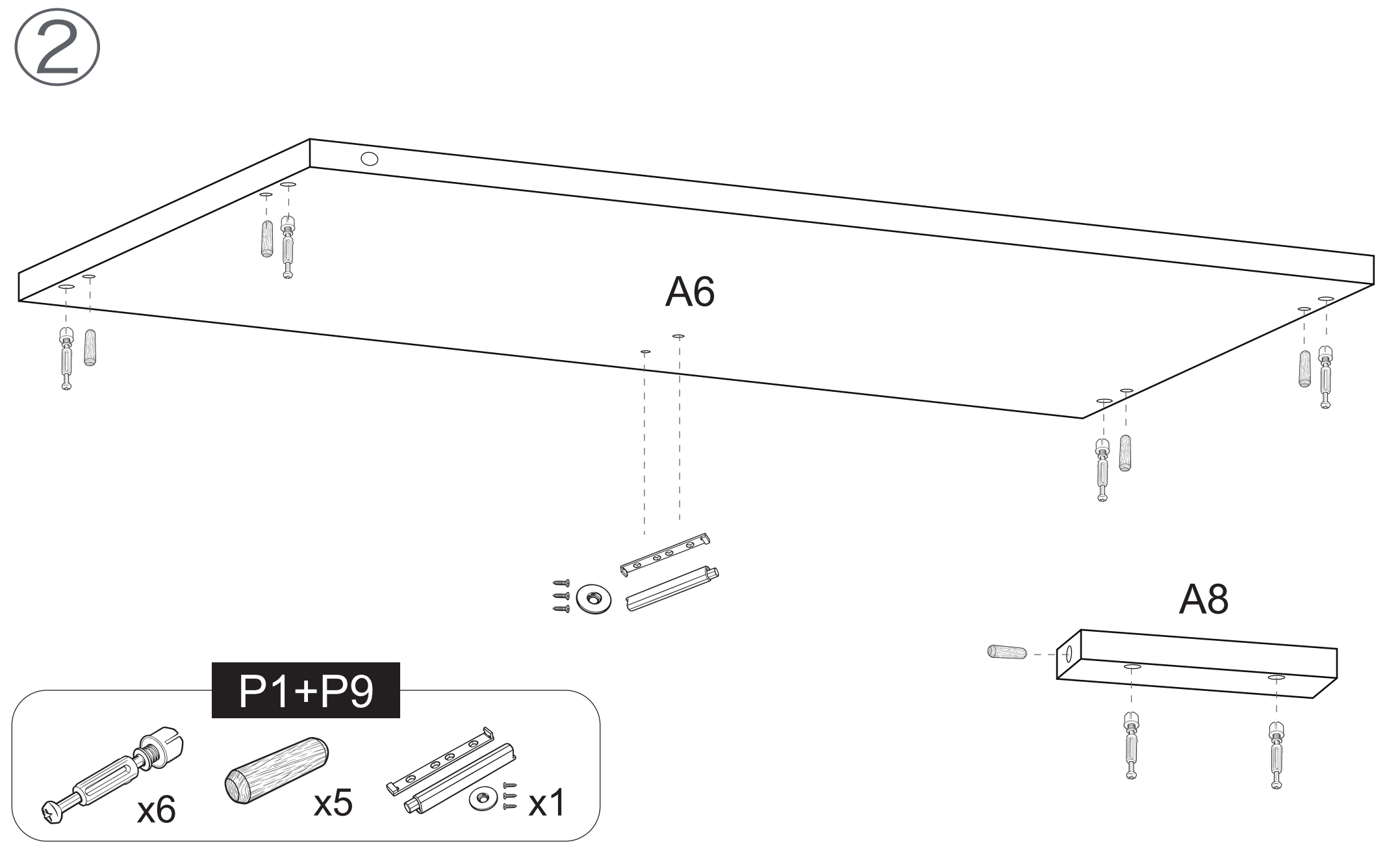
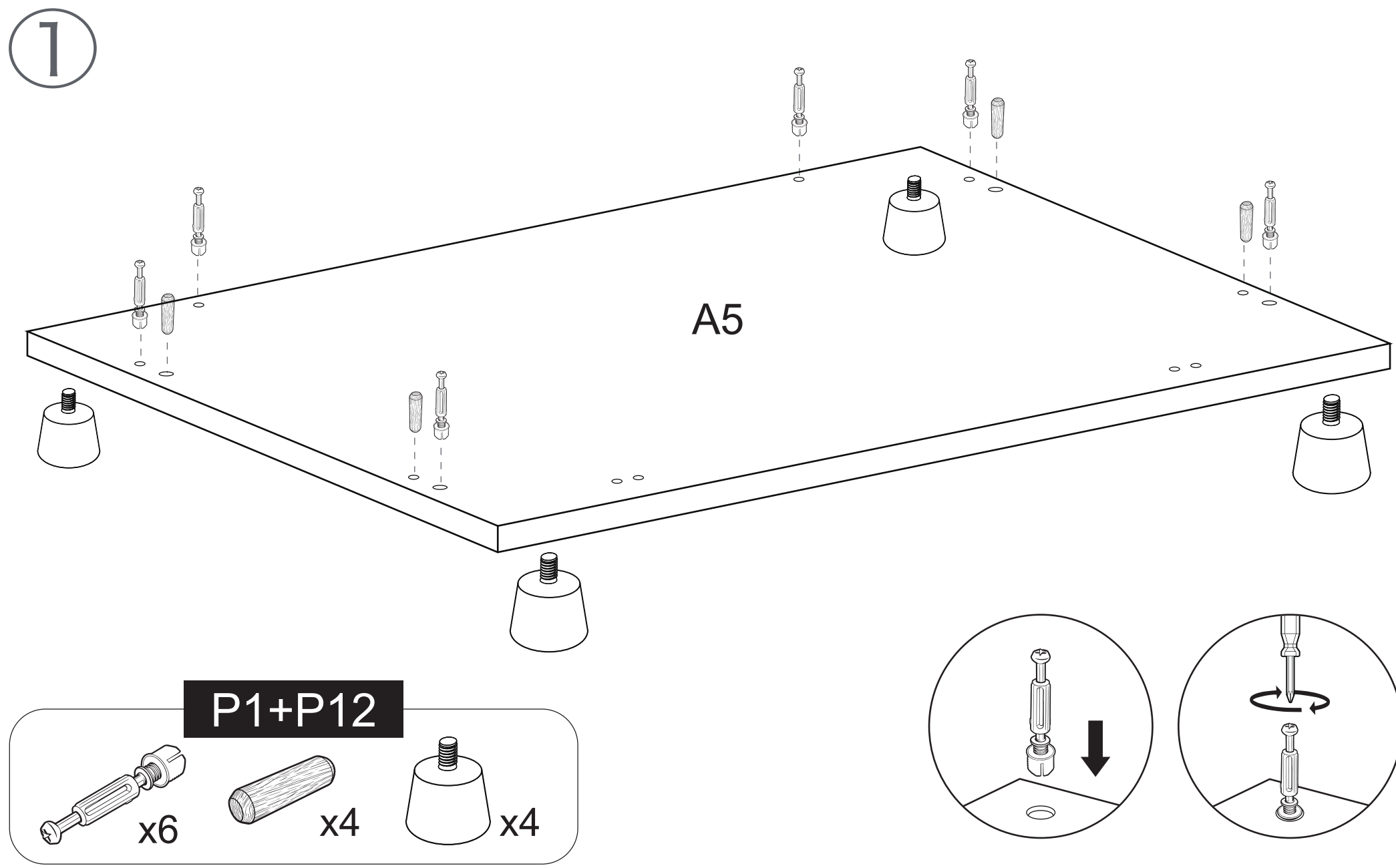


Left Cabinets	P1	P1	P1	P7+P9
	 x22	 x9	 x22	 x1
	P6+P10 x2	P11 x1	P12 x4	

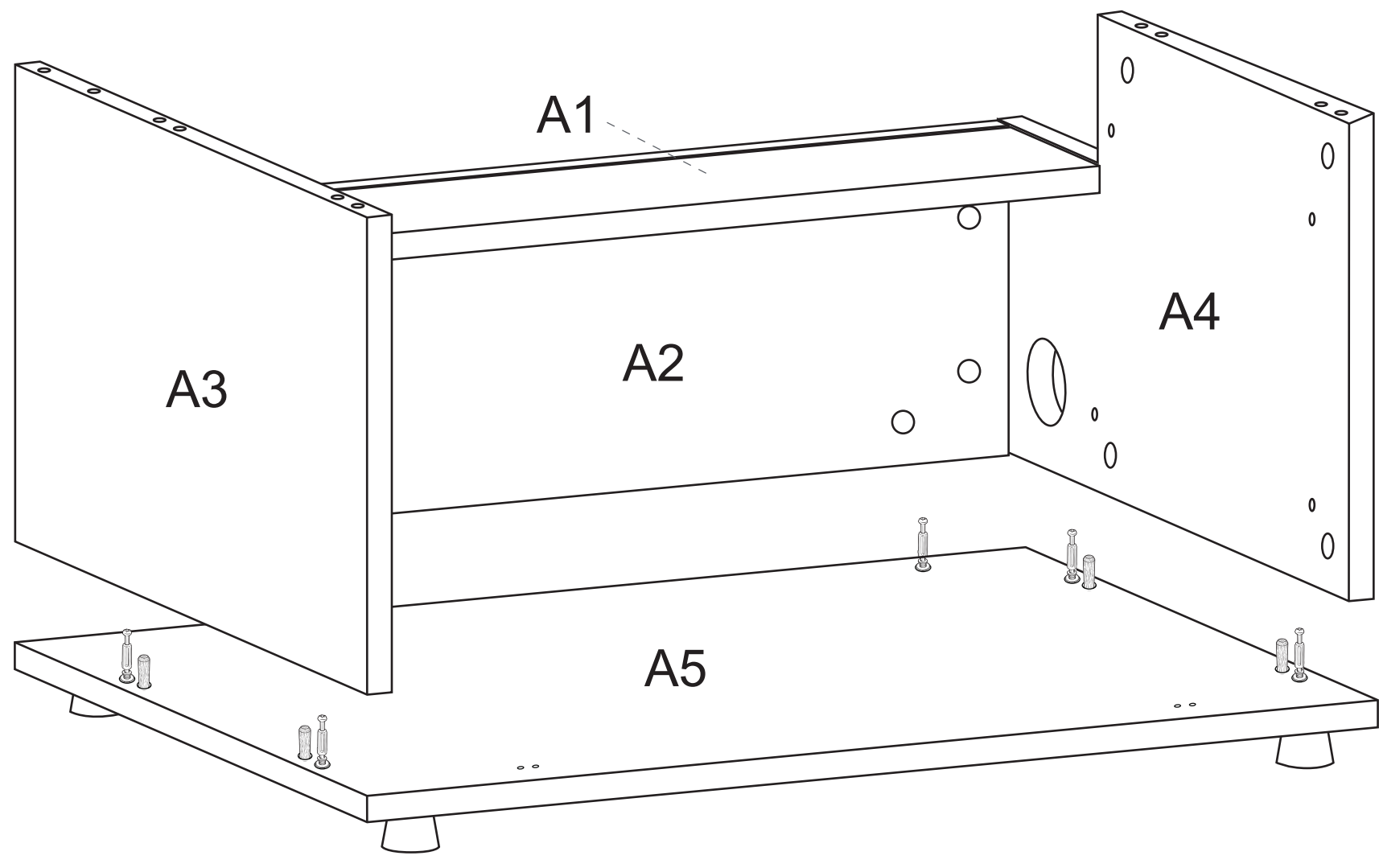
Right Cabinets	P1	P1	P1	P7+P9
	 x22	 x9	 x22	 x1
	P6+P10 x2	P11 x1	P12 x4	

Middle Cabinets	P1	P1	P1	P4
	 x14	 x4	 x14	 x2
	P5 x3	P5 x4	P12 x4	

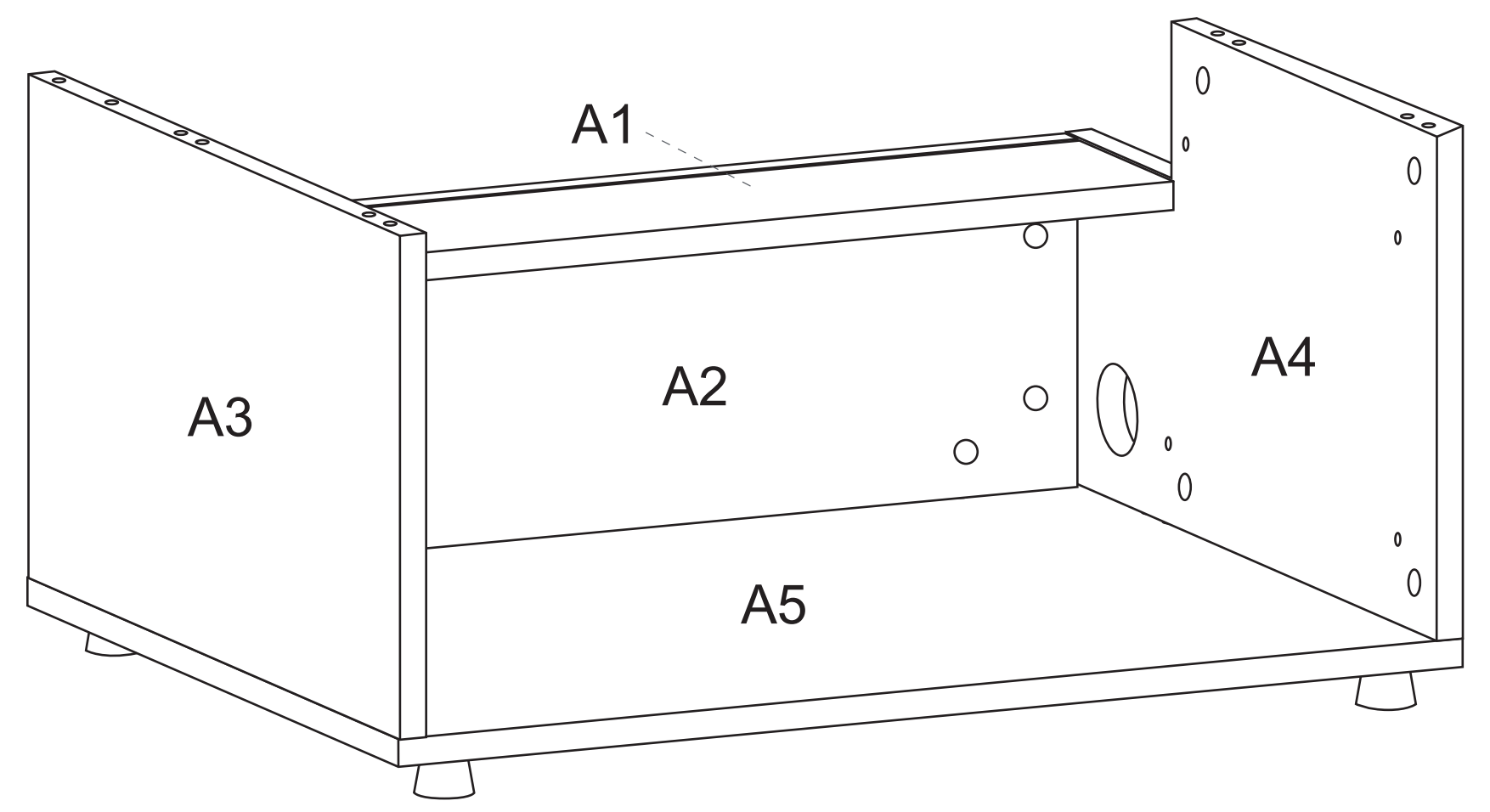
Insert the hardware into the corresponding panels. Assemble and fasten them in numerical order based on the labels.



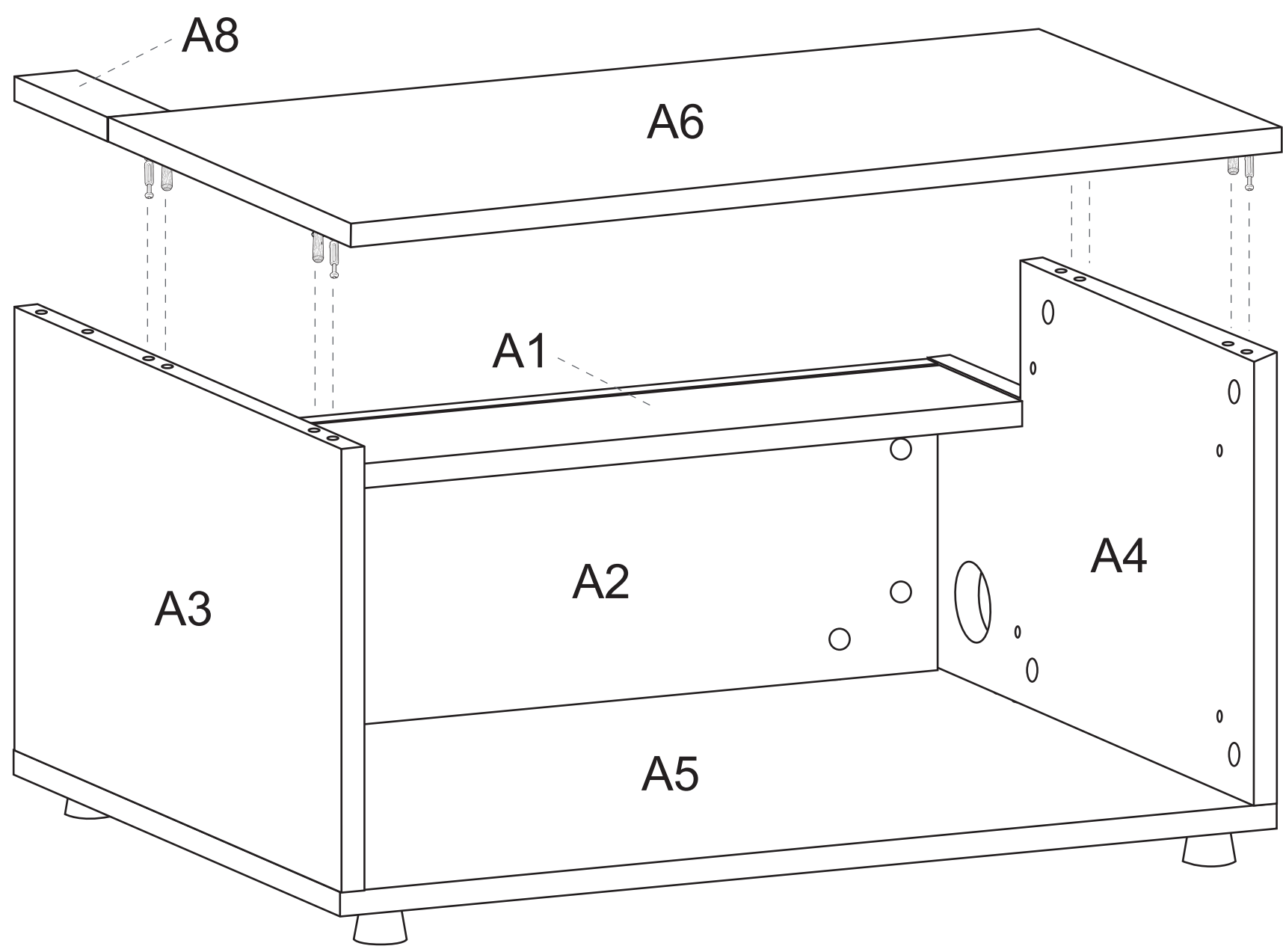
9



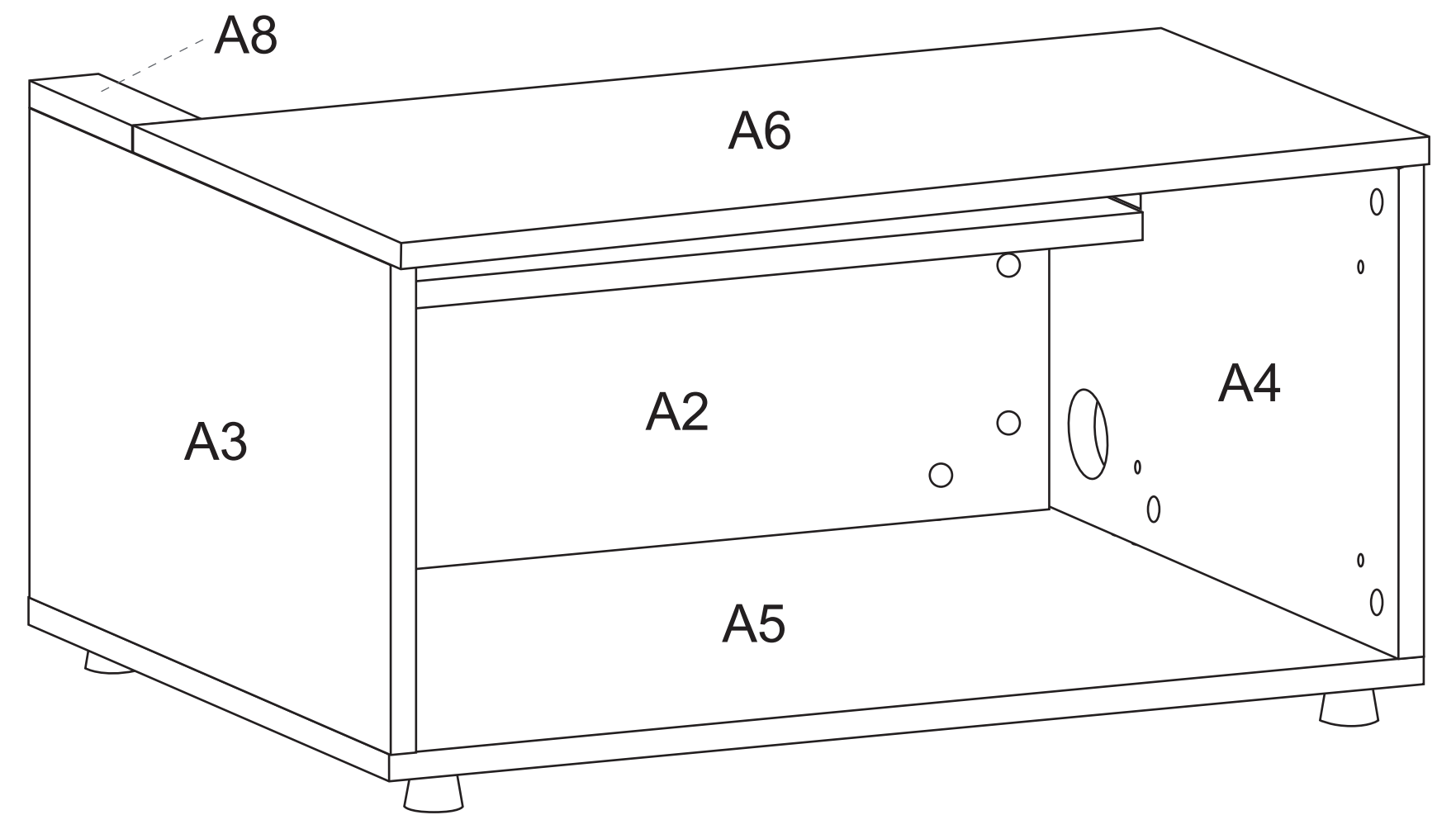
10



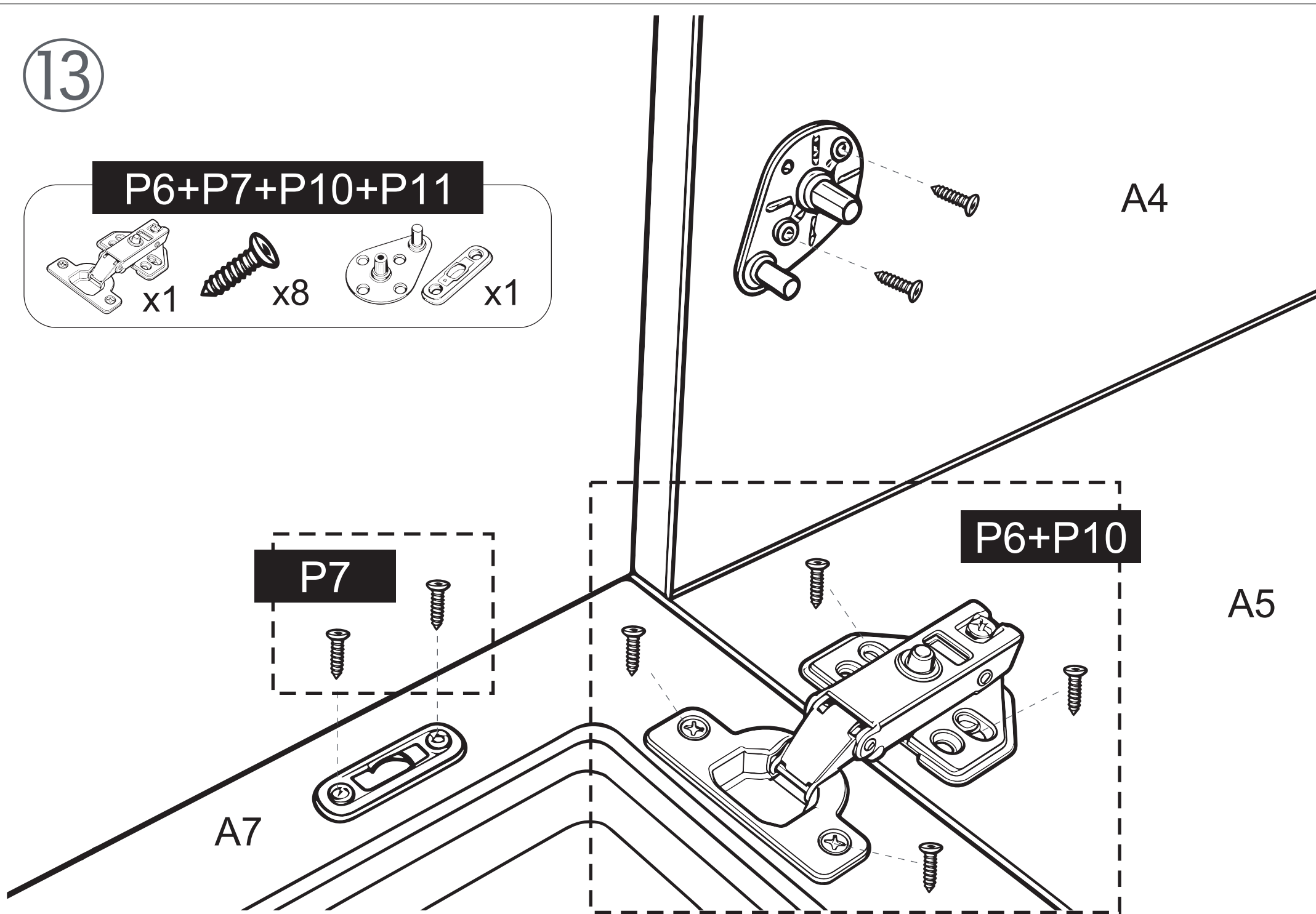
11



12

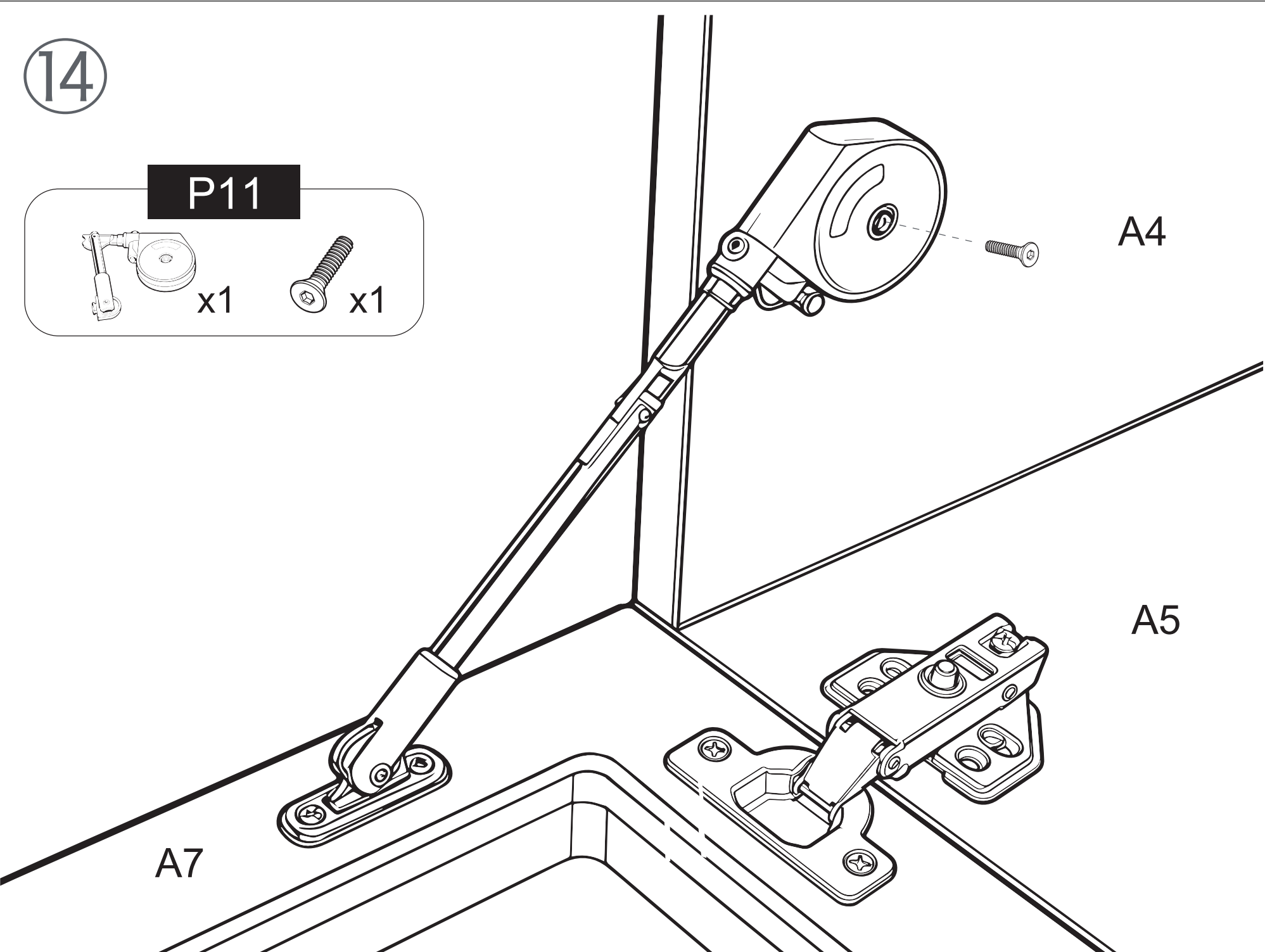


13



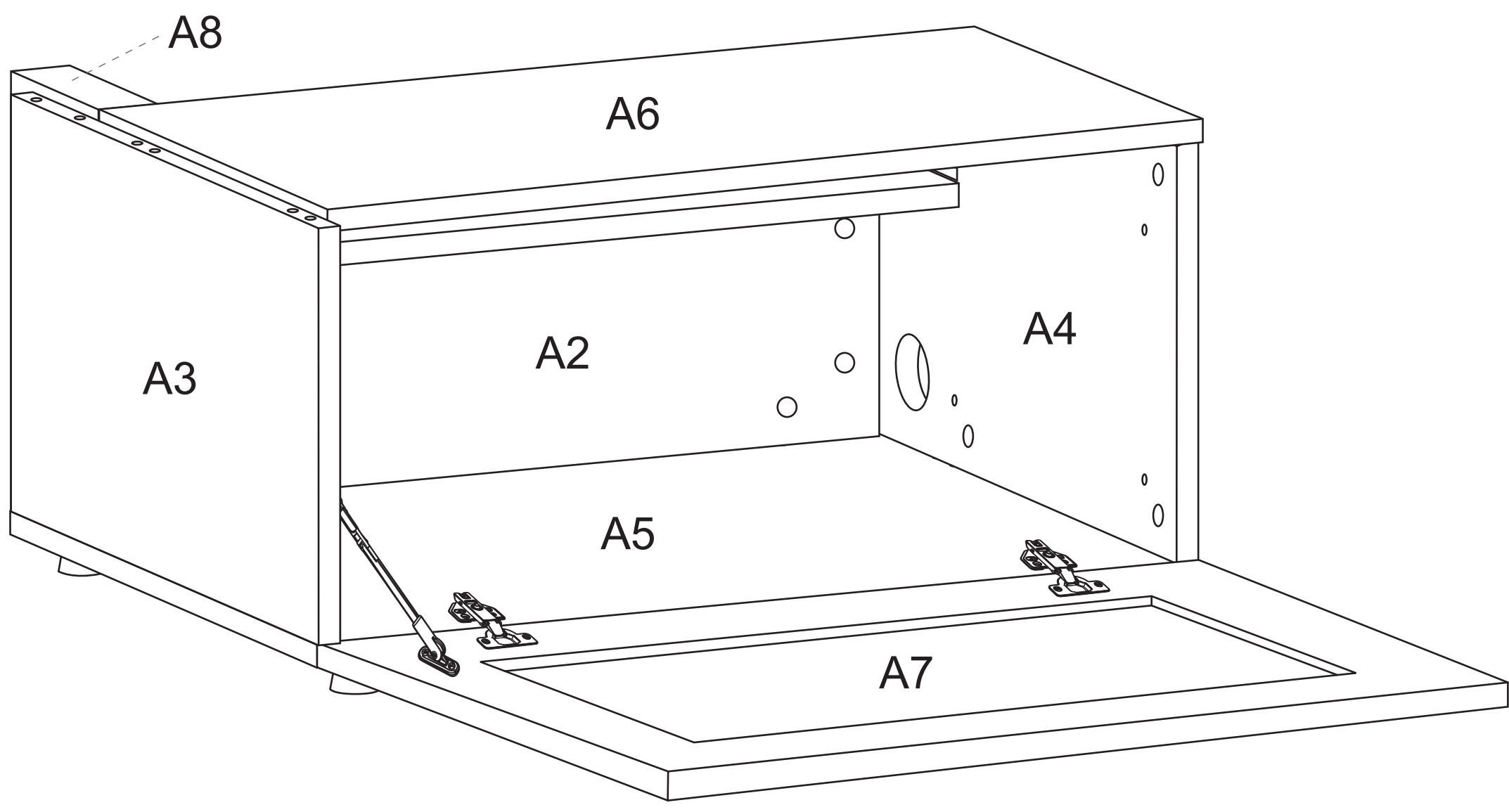
Installing the door hinge: Press hinges into the pre-drilled holes on the door and secure with P6 screws. Align the door with the cabinet, then fasten the hinges directly to the base panel (Note: The base panel has no pre-drilled holes).

14

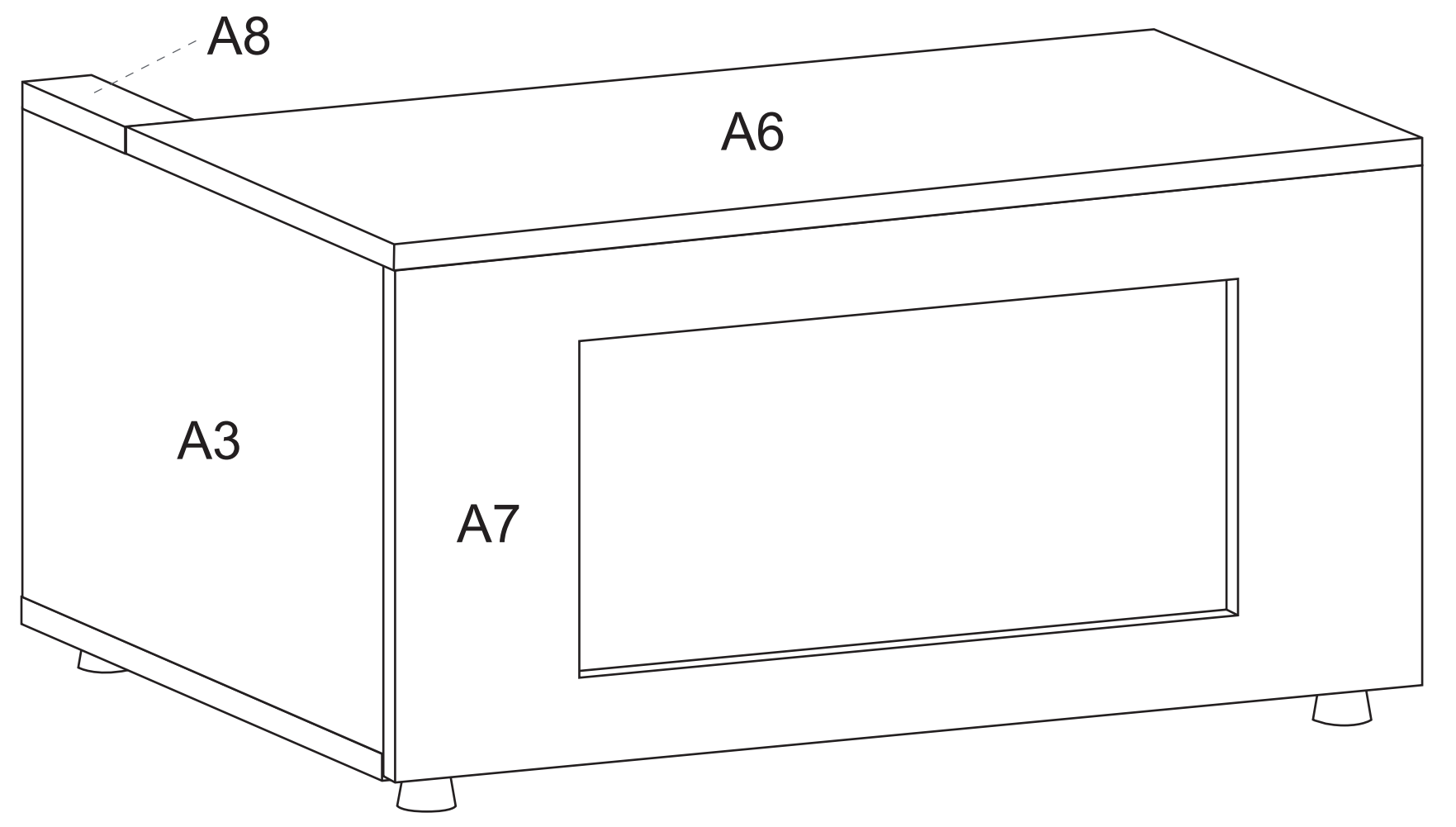


Installing cabinet Hydraulic Rods: Mount bracket into side panel holes. Without screwing, straighten the hydraulic rod and install it in the correct direction. Position the door connector, then remove it and secure with P7 screws. Reinstall rod and tighten screws.

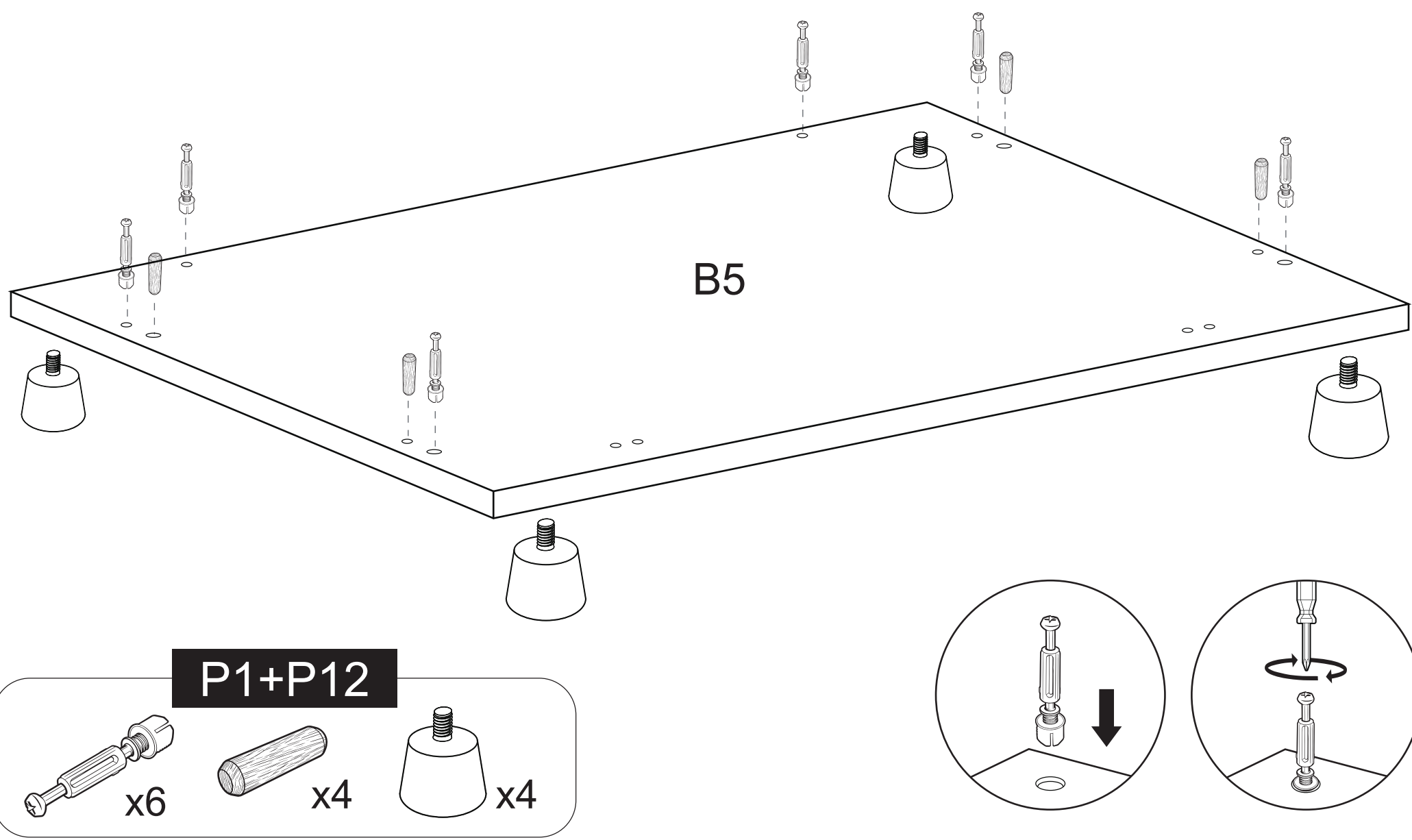
15



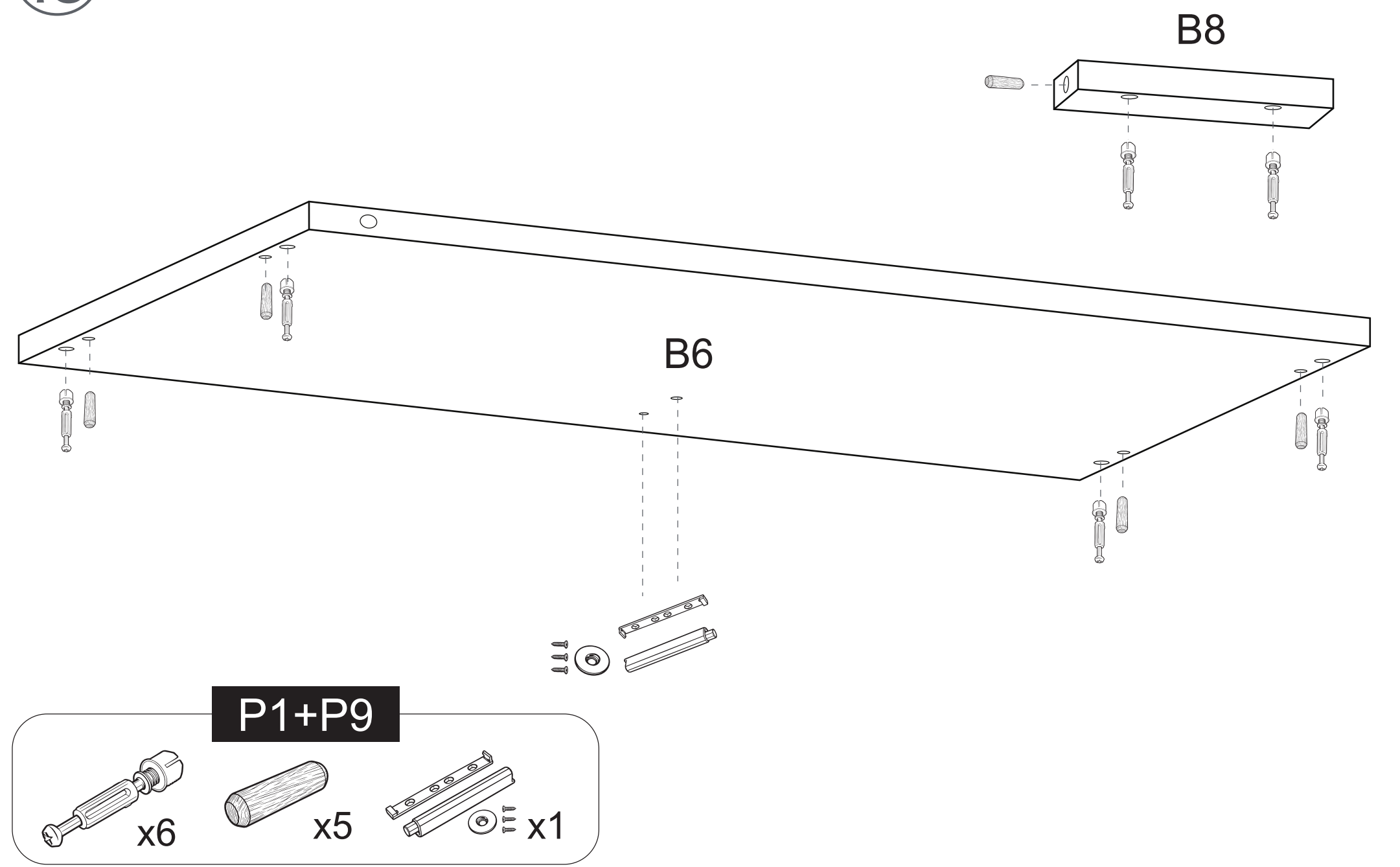
16



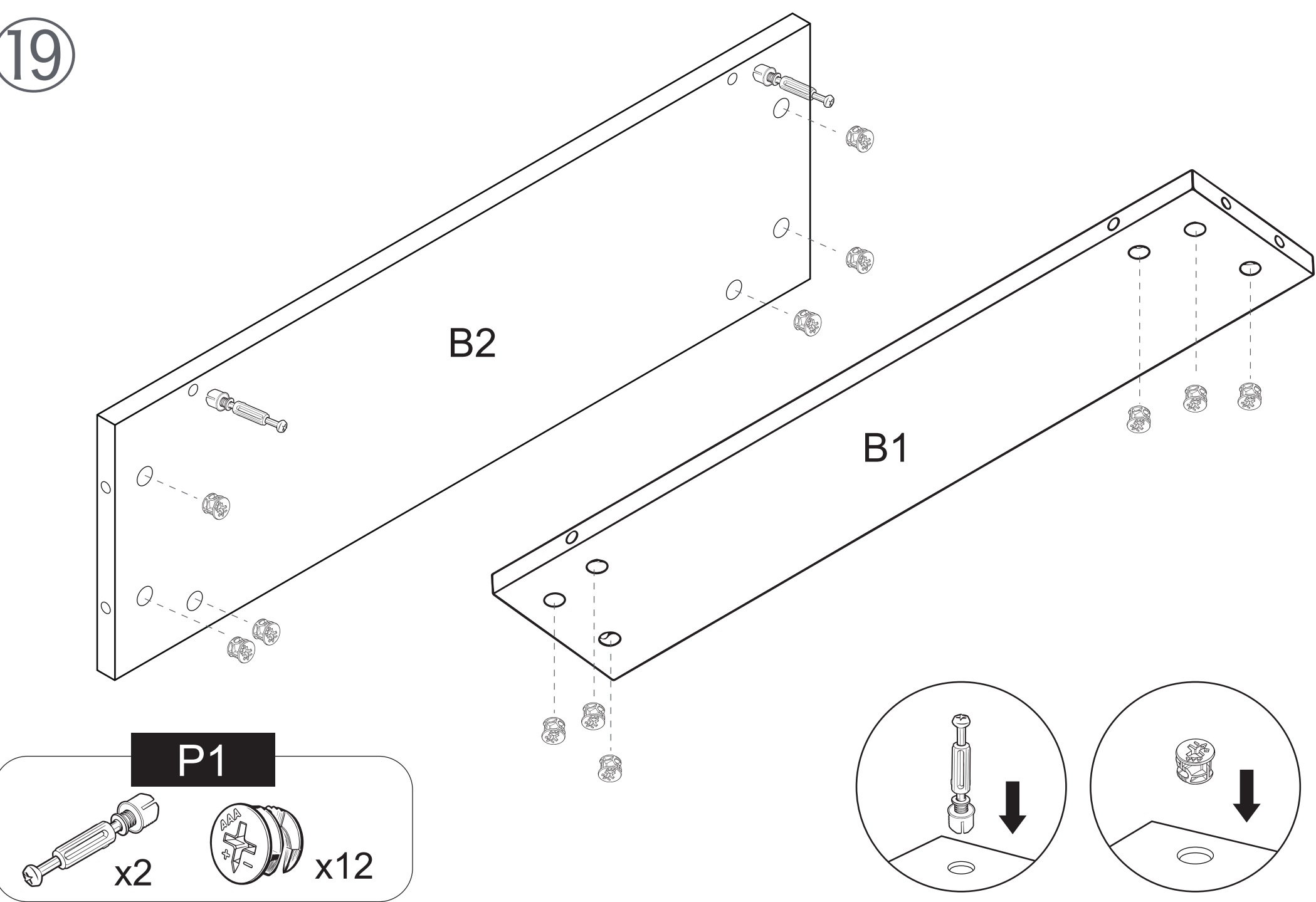
17



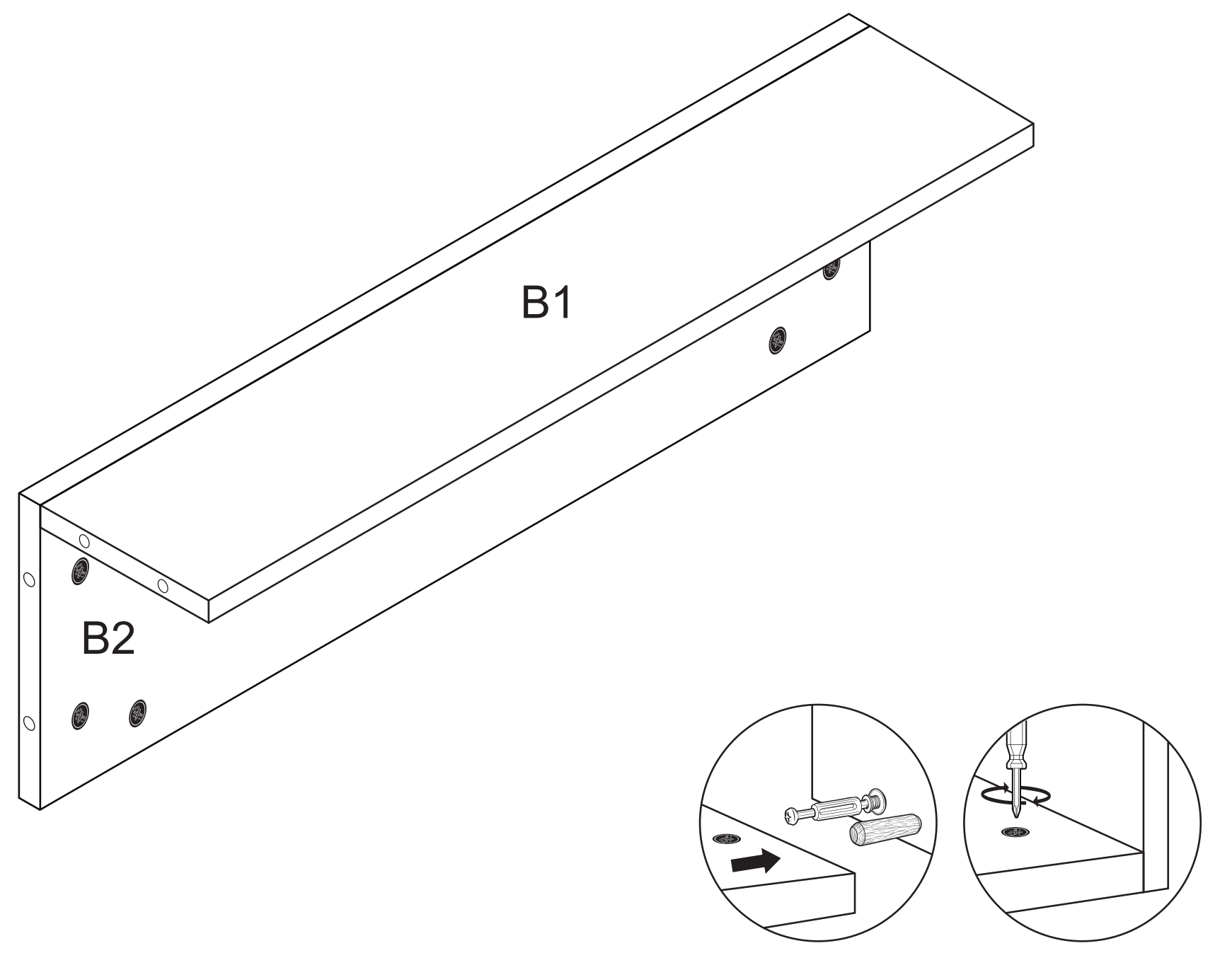
18



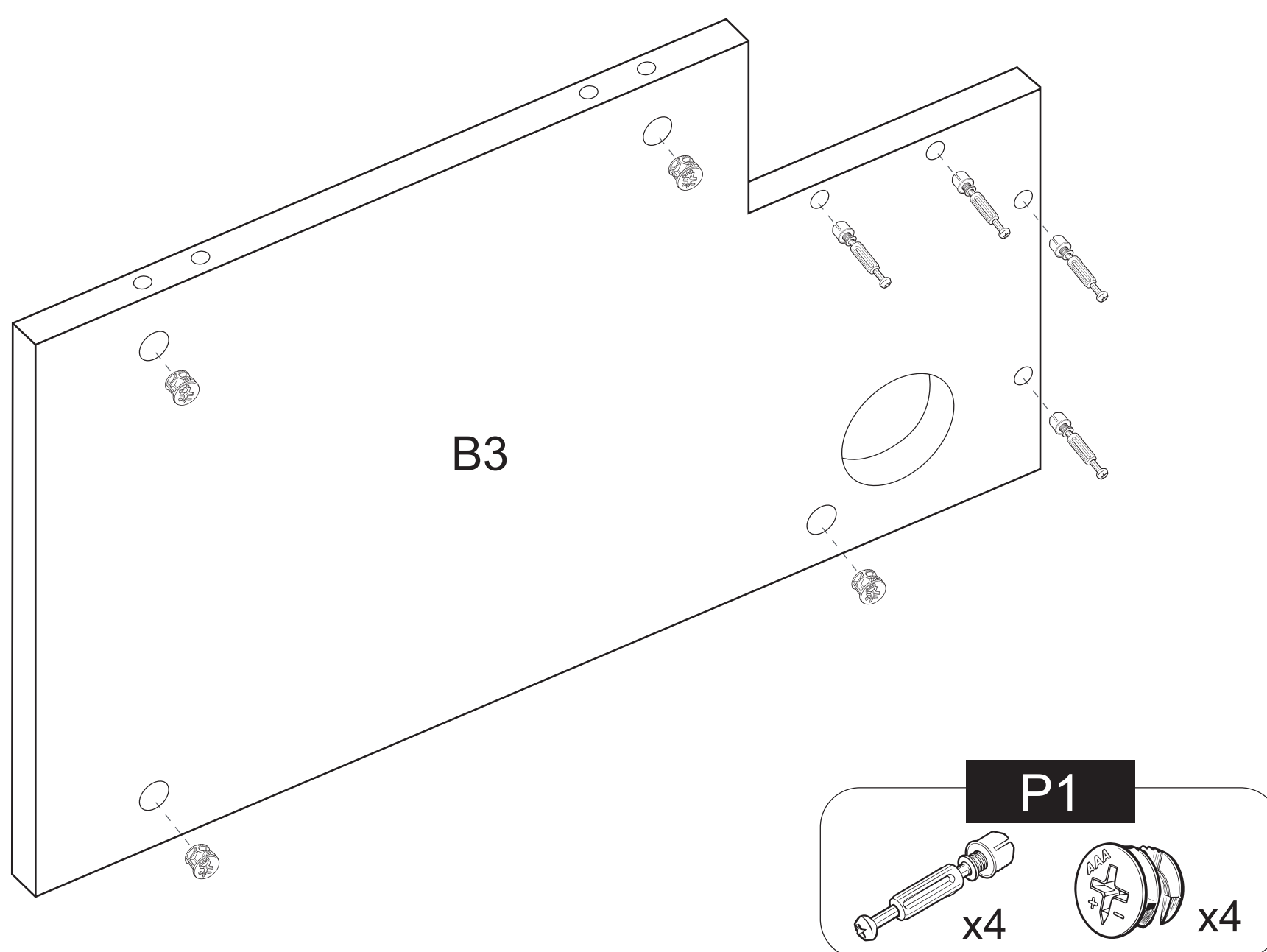
19



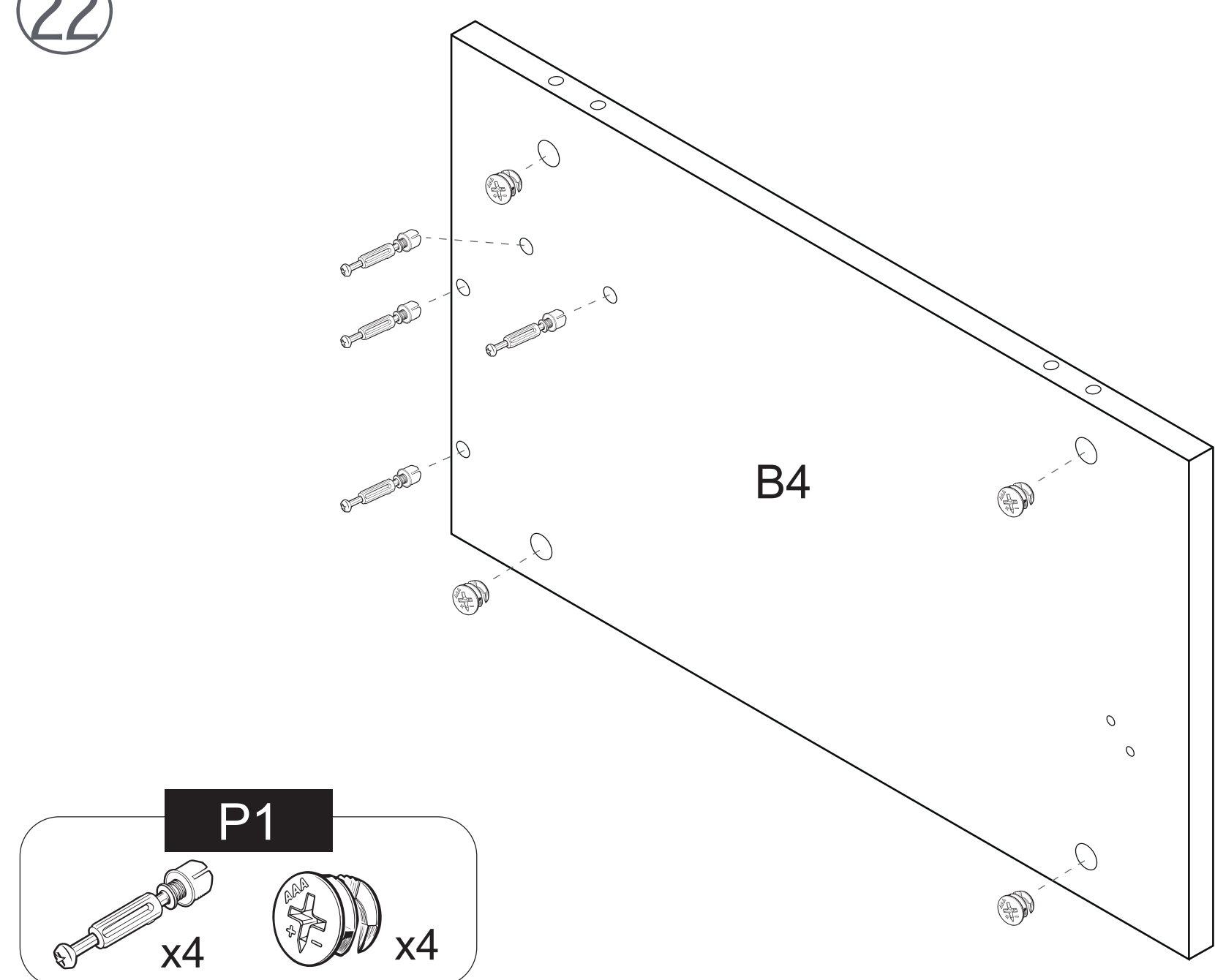
20



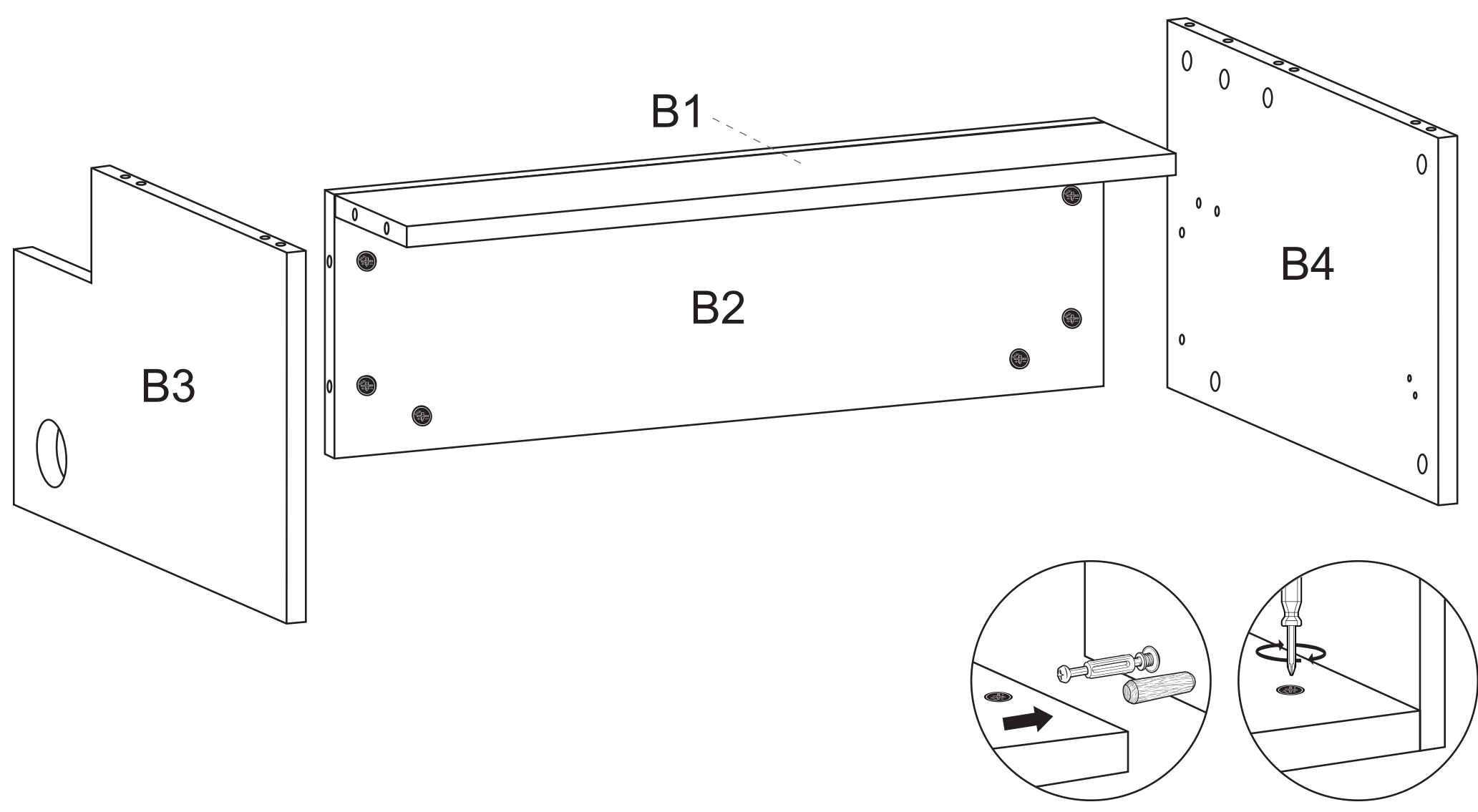
21



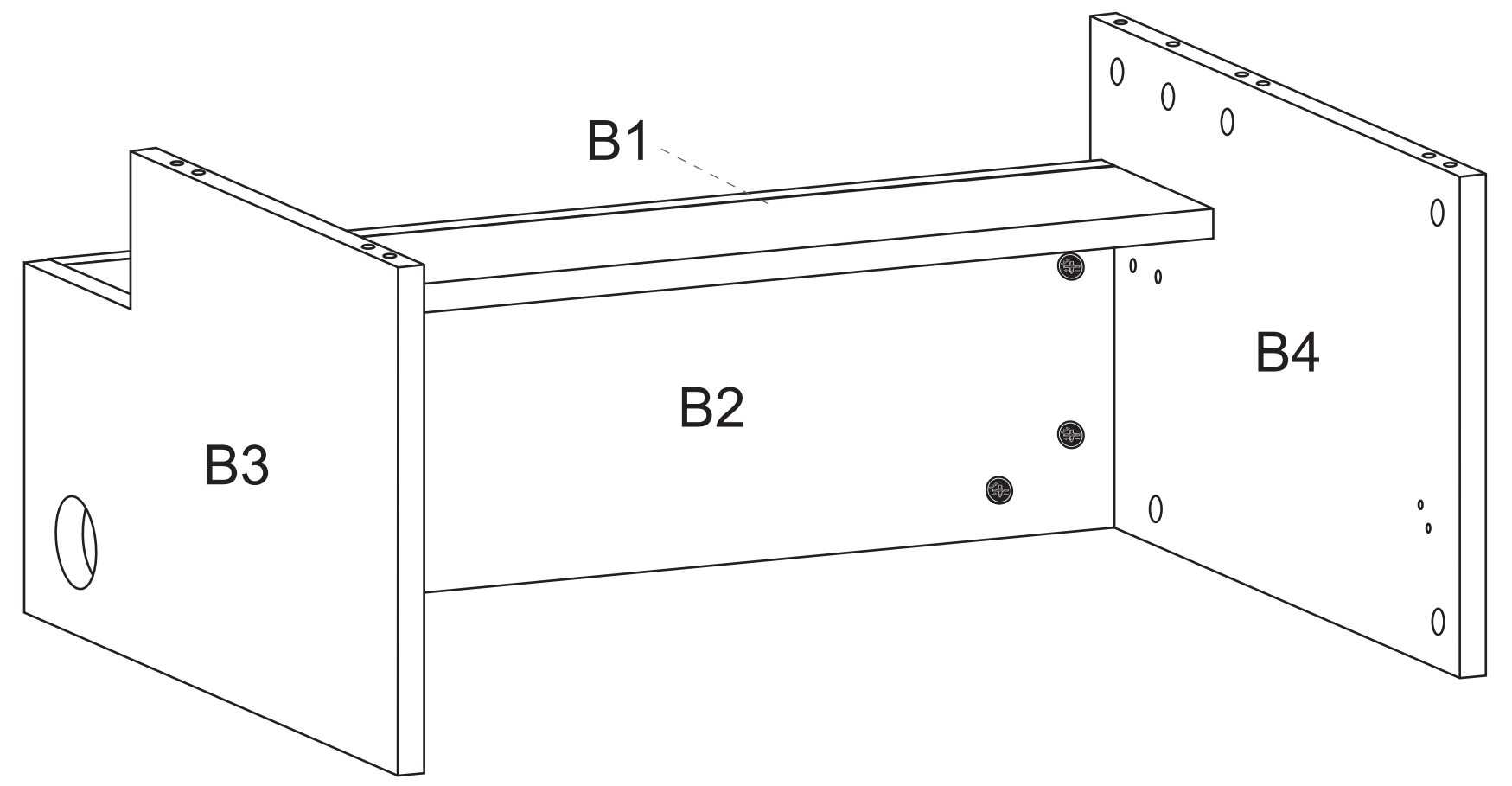
22



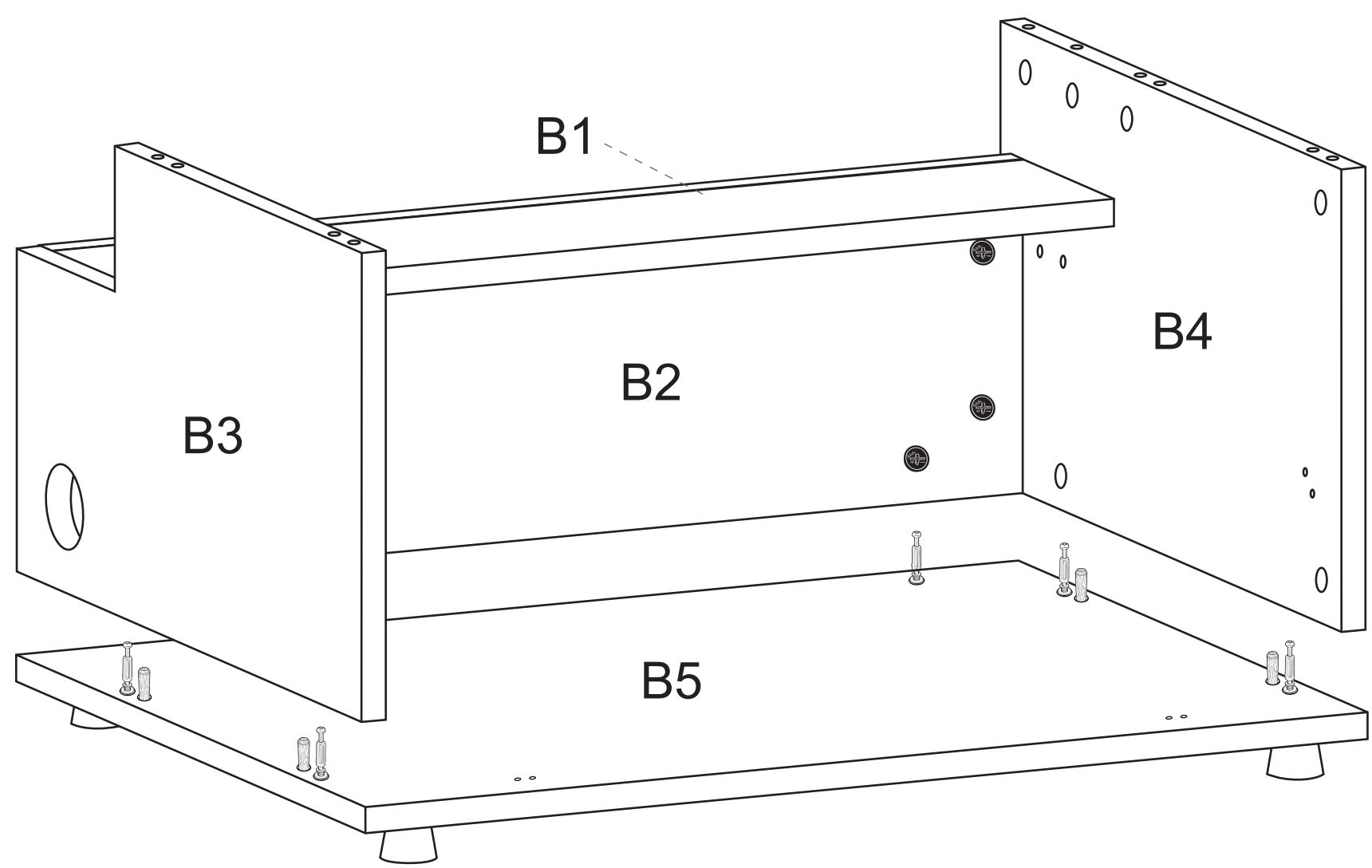
23



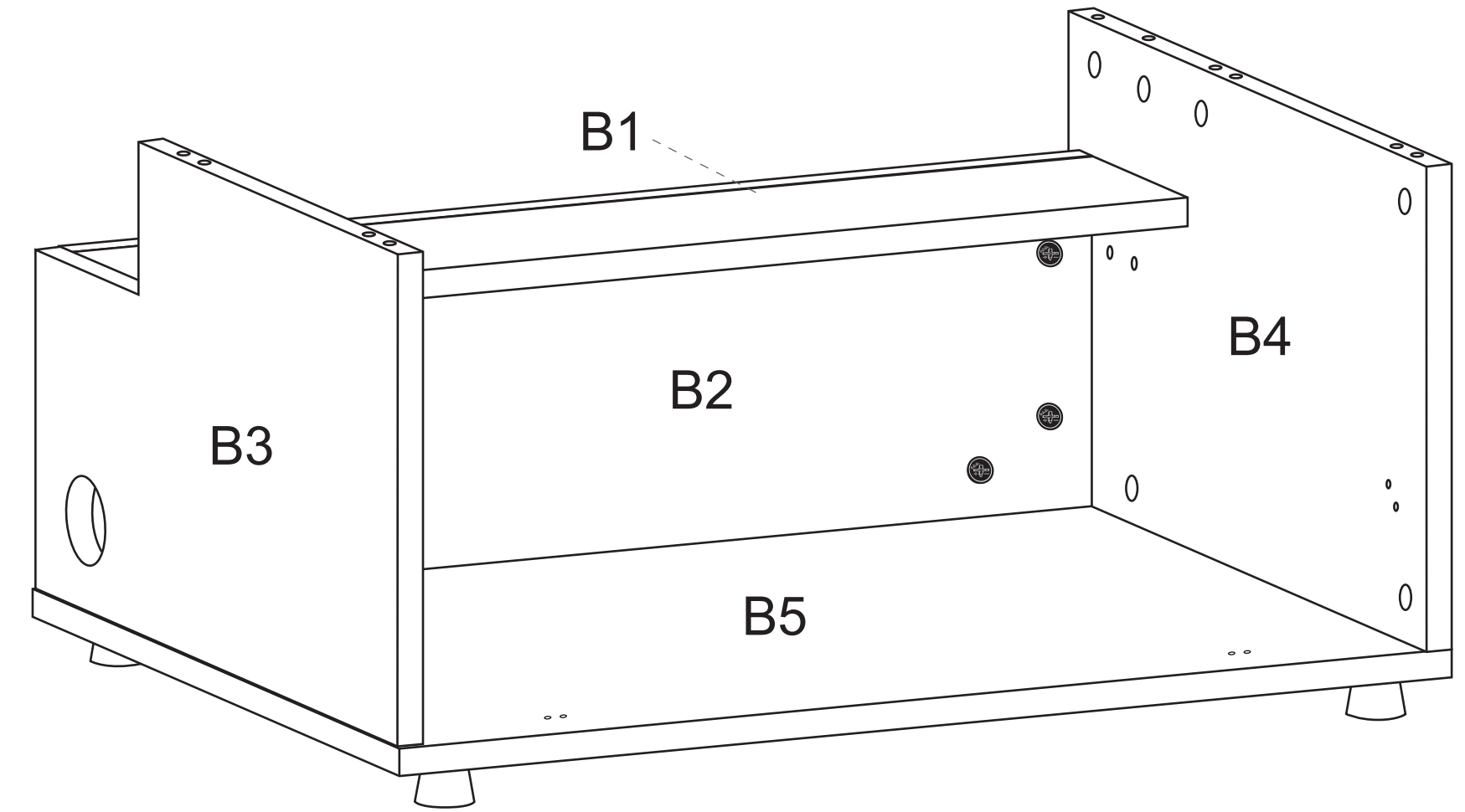
24



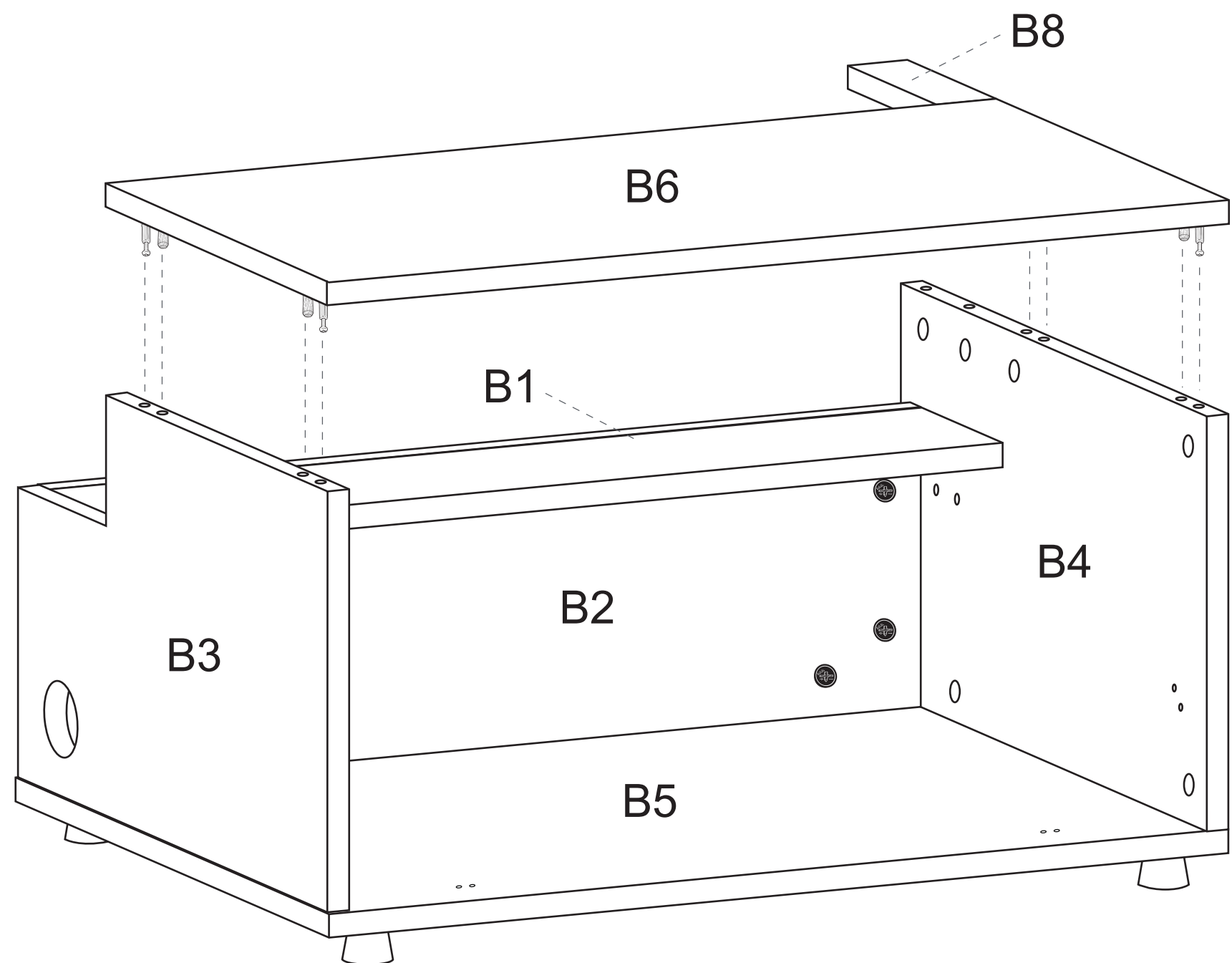
25



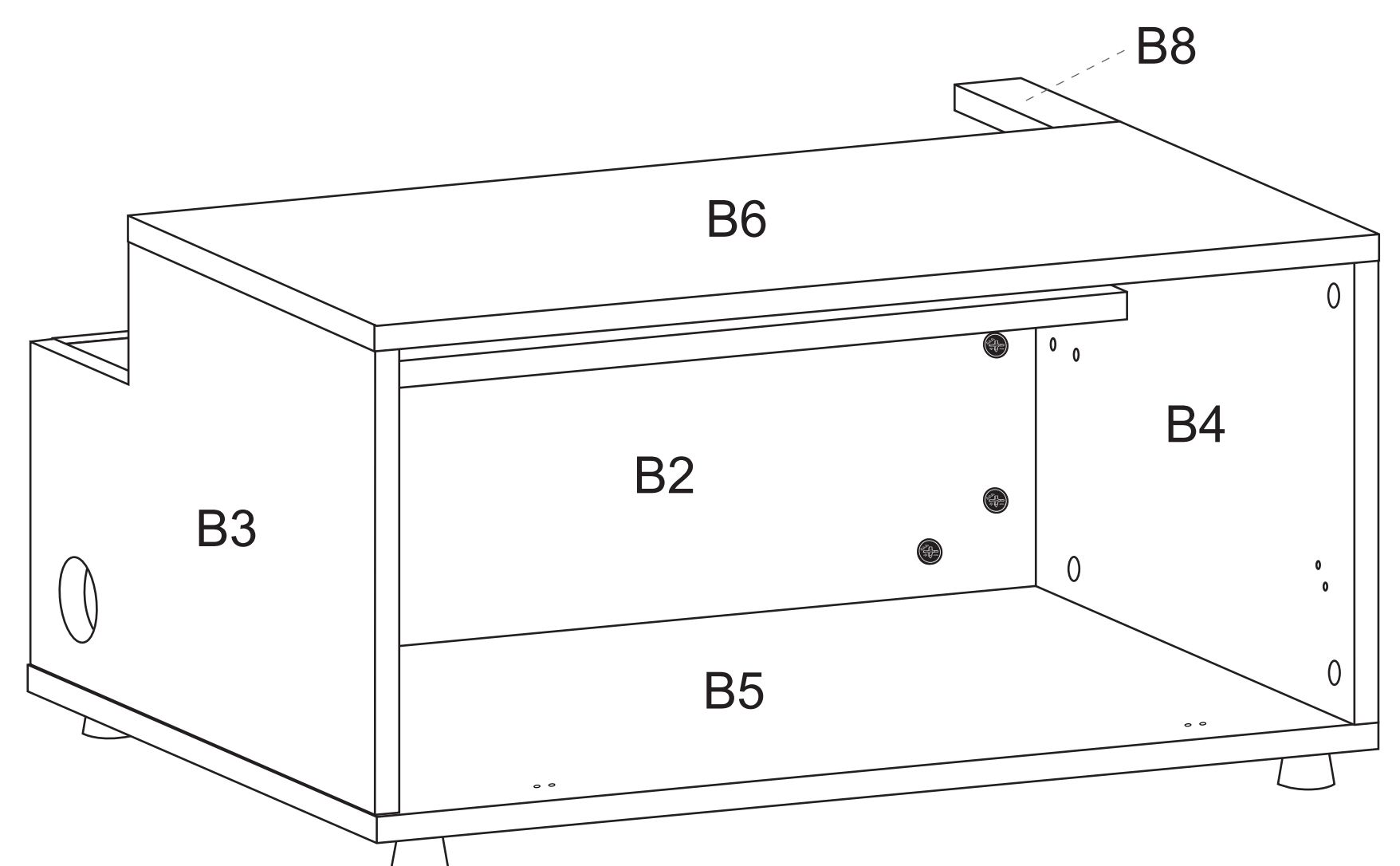
26



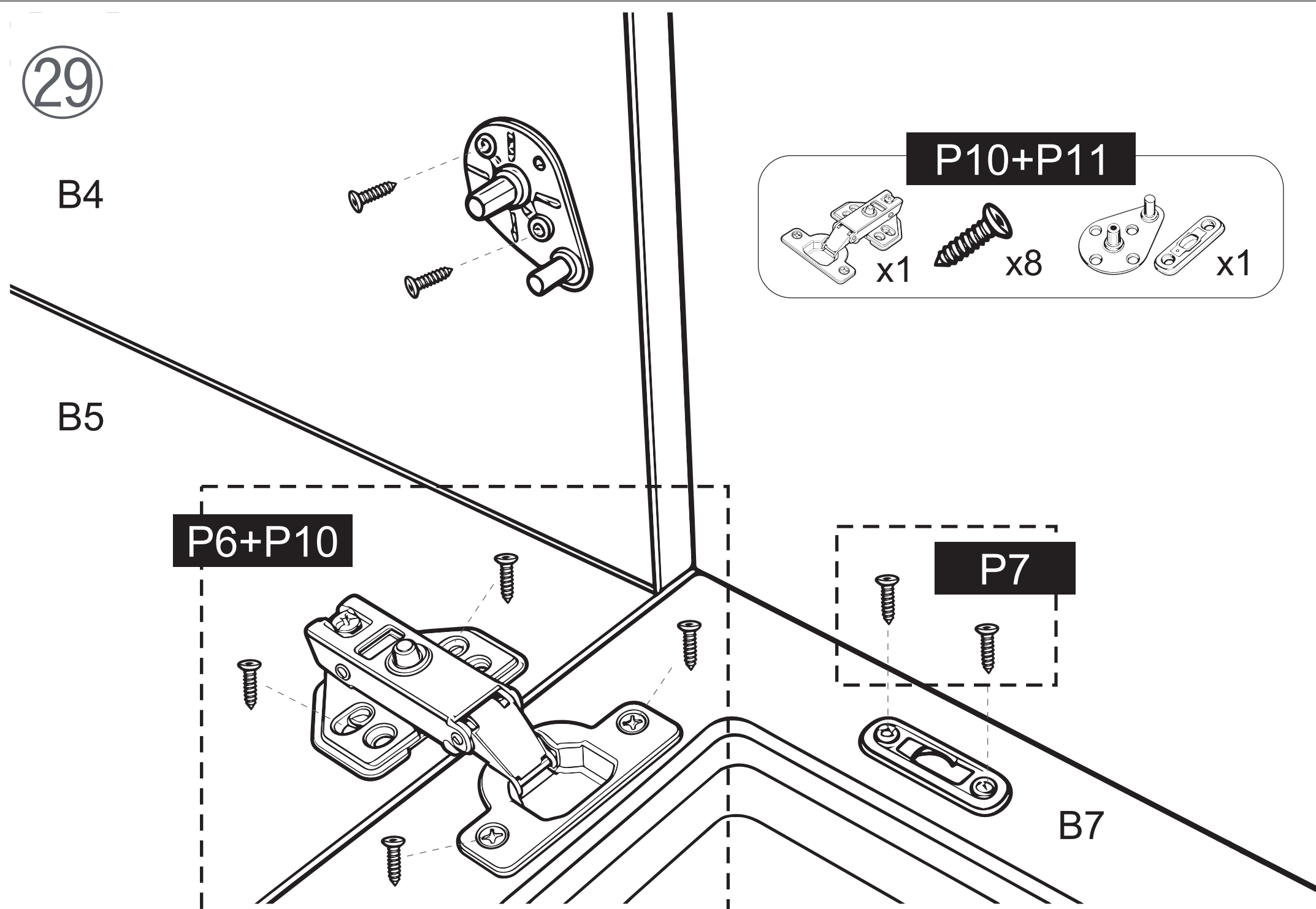
27



28

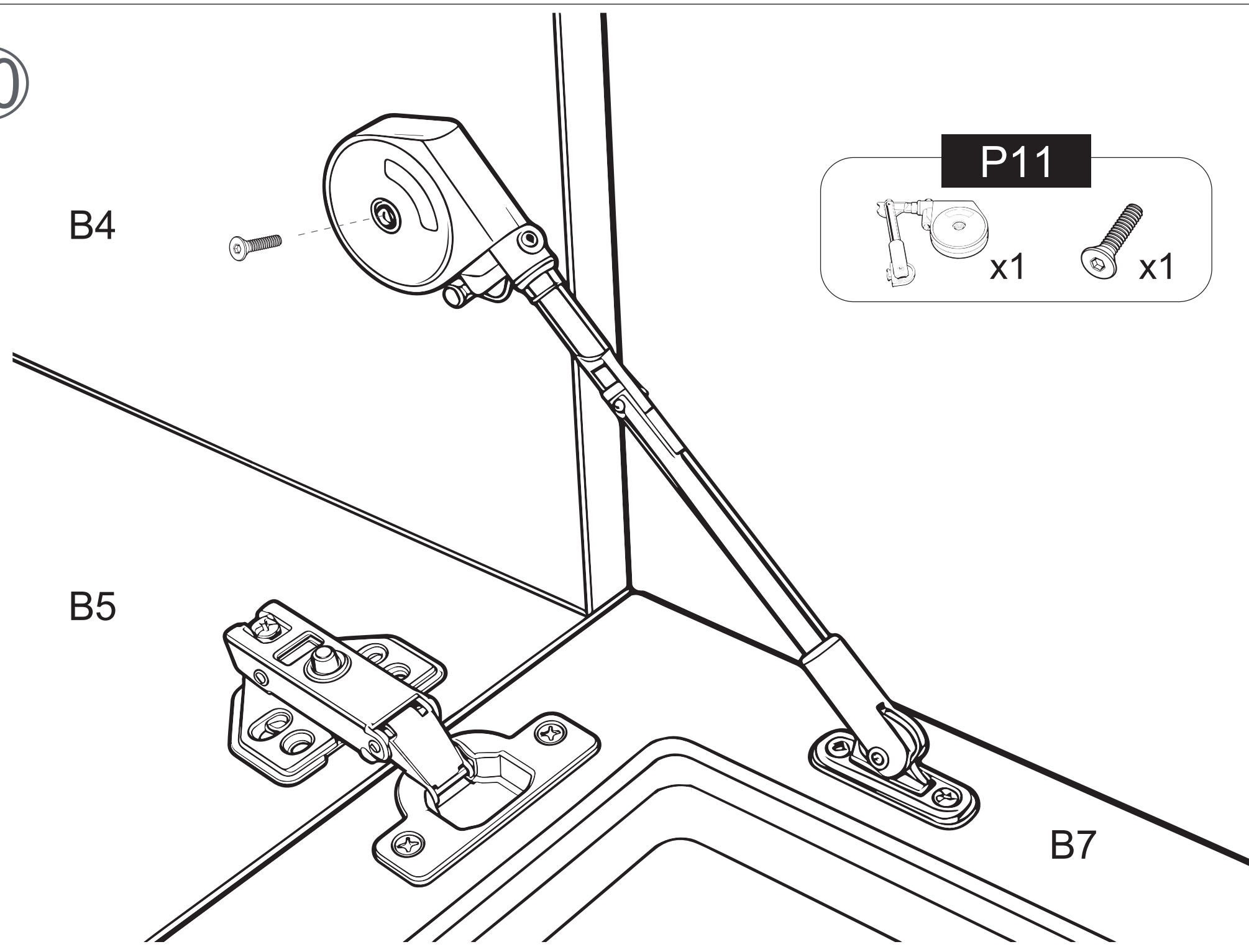


29



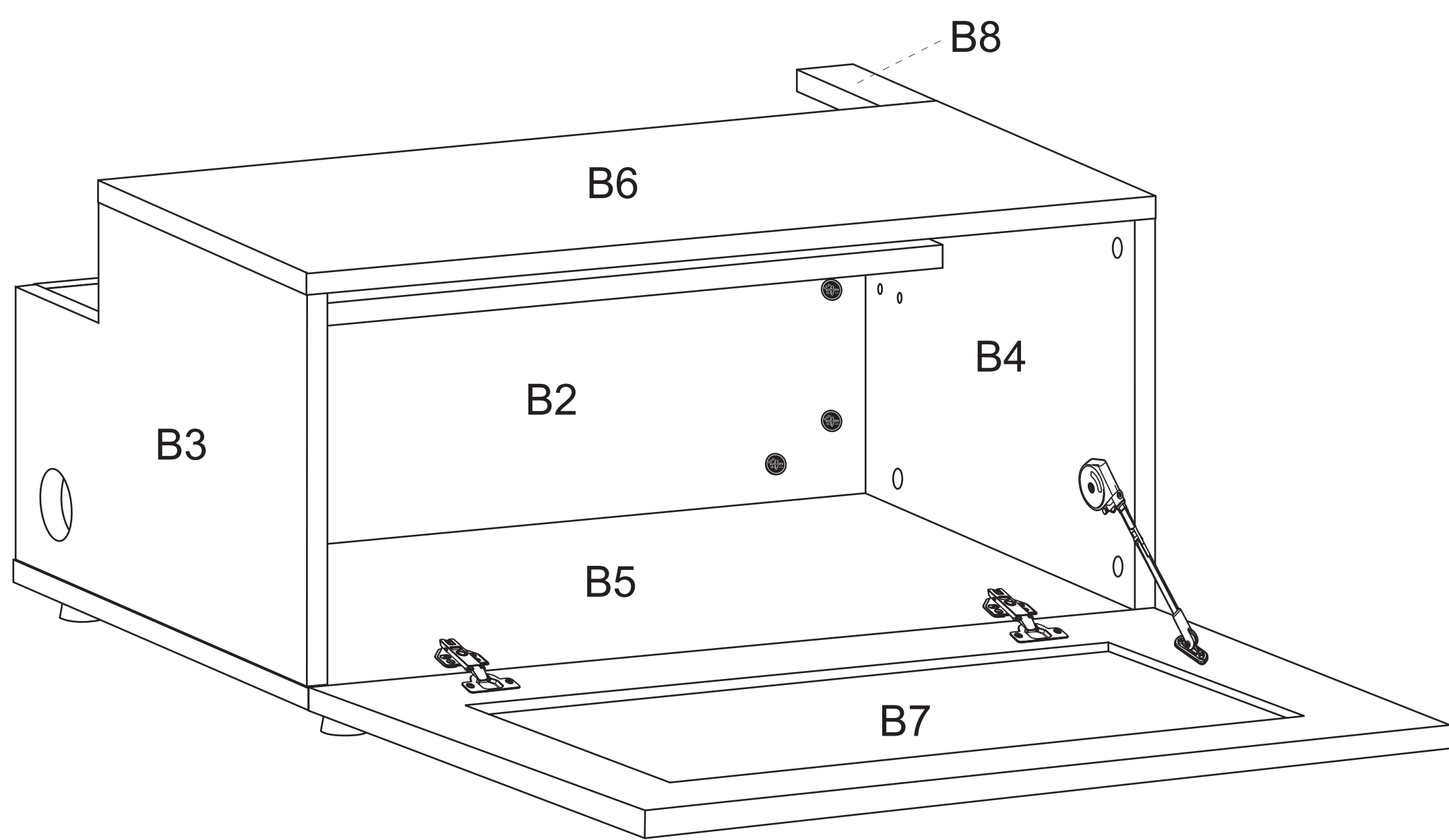
Installing the door hinge: Press hinges into the pre-drilled holes on the door and secure with P6 screws. Align the door with the cabinet, then fasten the hinges directly to the base panel (Note: The base panel has no pre-drilled holes).

30

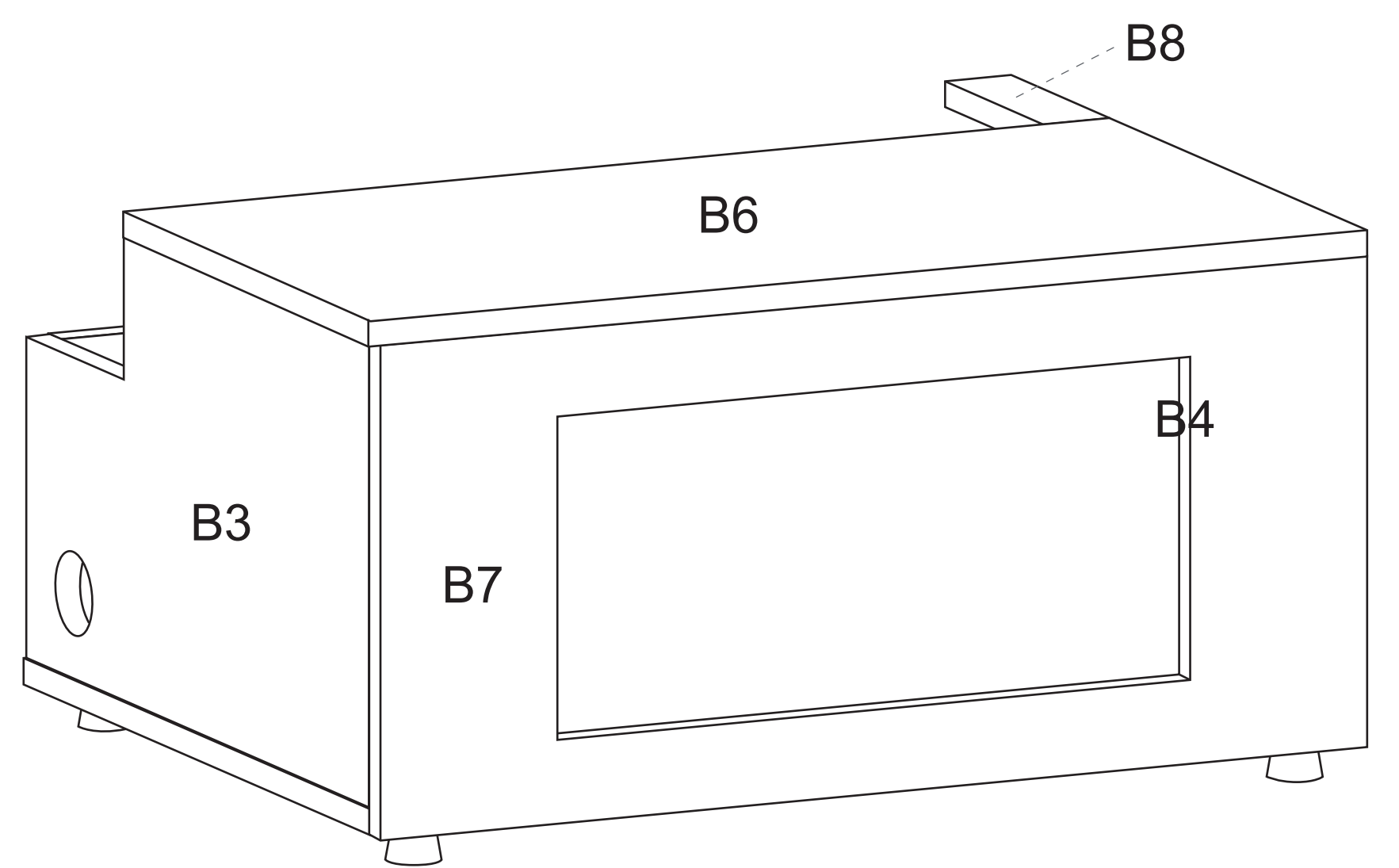


Installing cabinet Hydraulic Rods: Mount bracket into side panel holes. Without screwing, straighten the hydraulic rod and install it in the correct direction. Position the door connector, then remove it and secure with P7 screws. Reinstall rod and tighten screws.

31

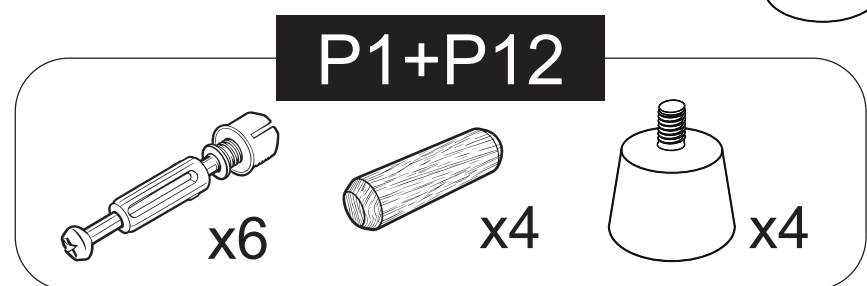
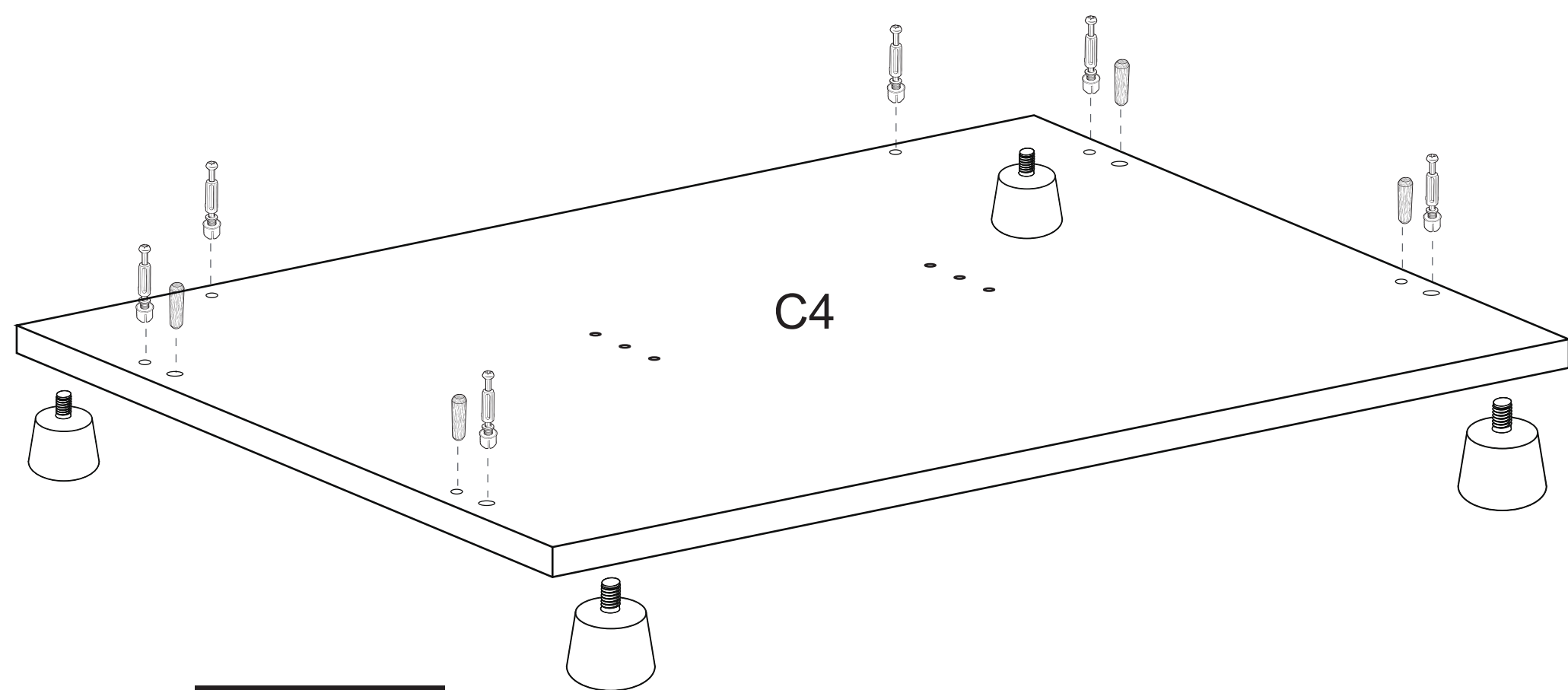


32

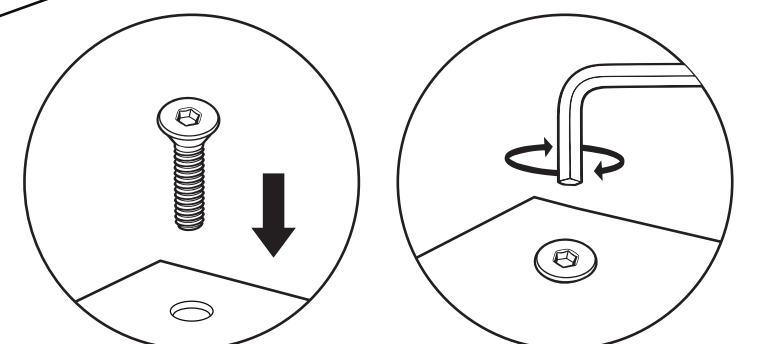
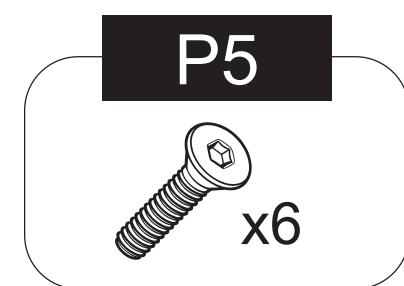
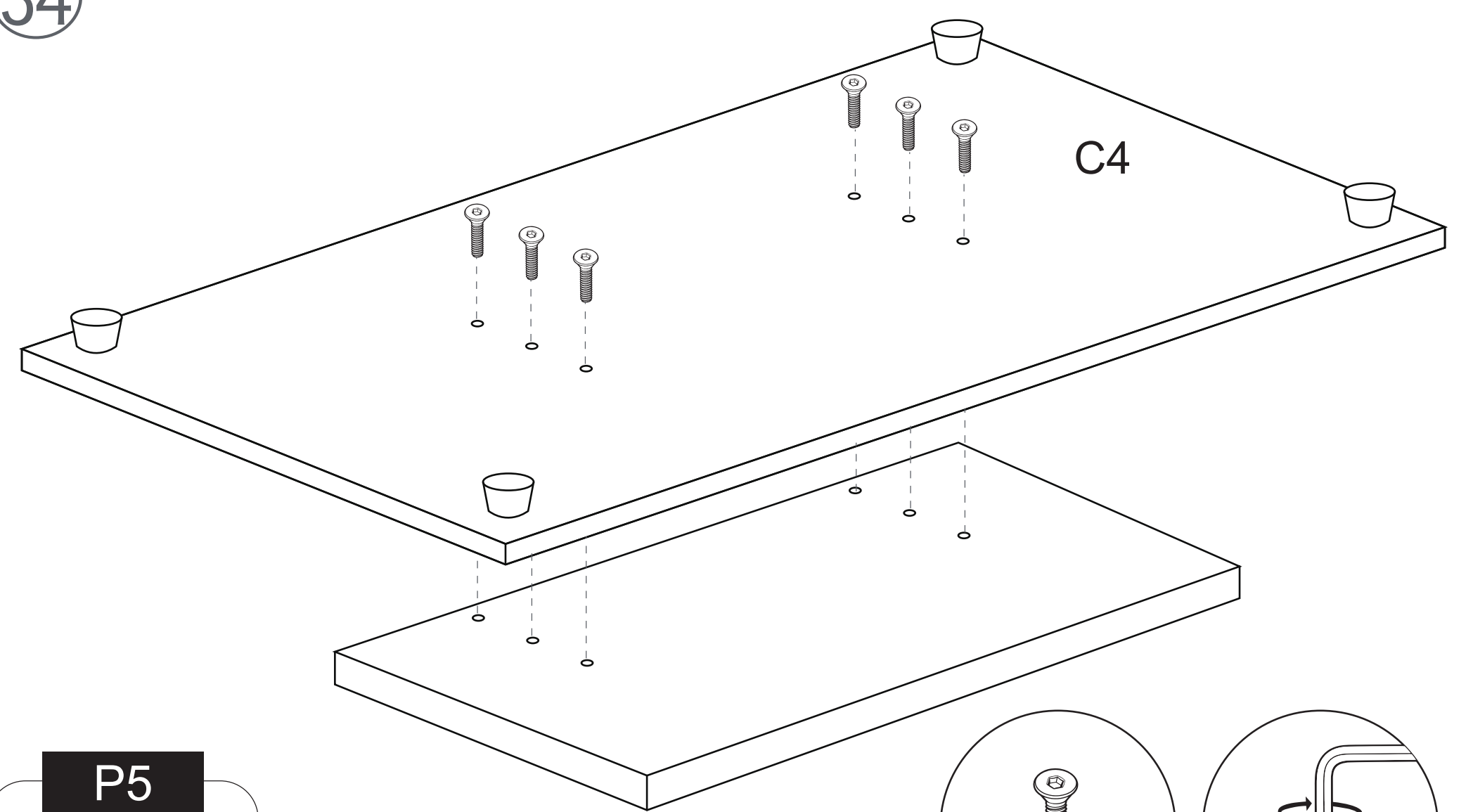


33

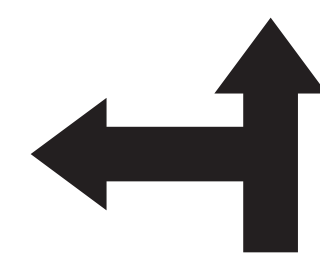
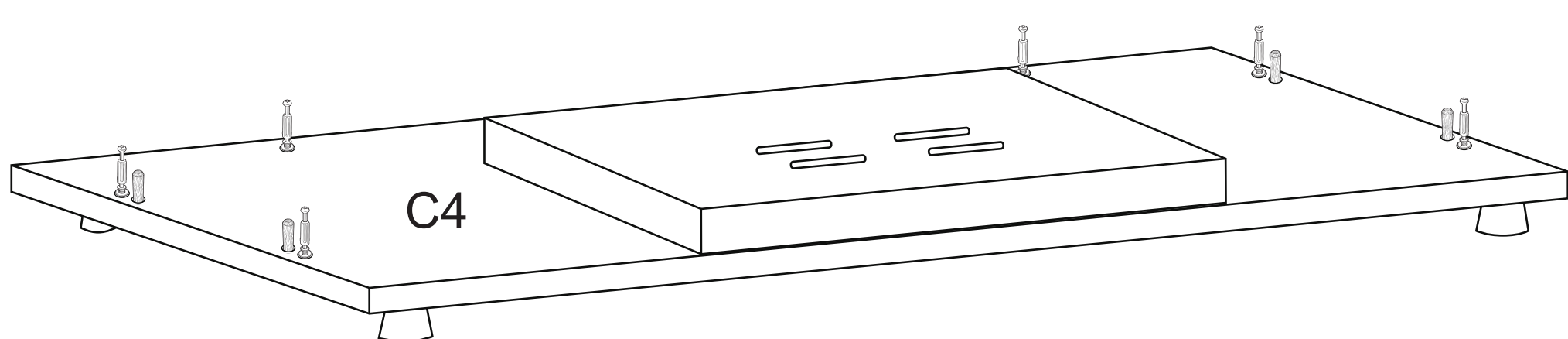
Install the hardware on the C4 base panel as shown.



34

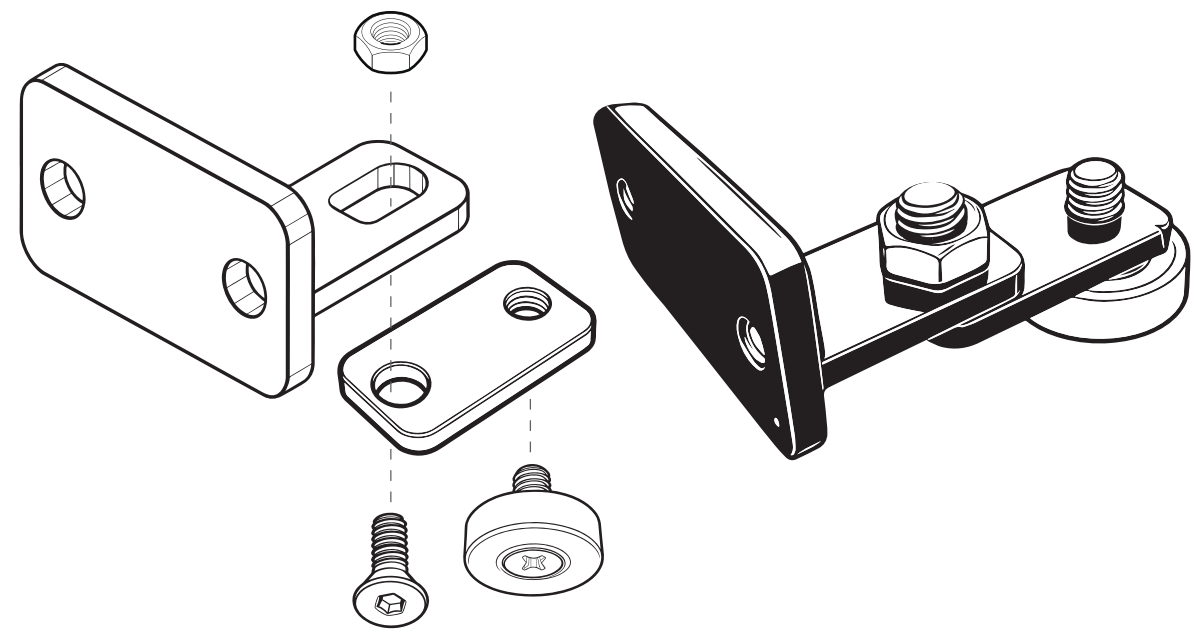
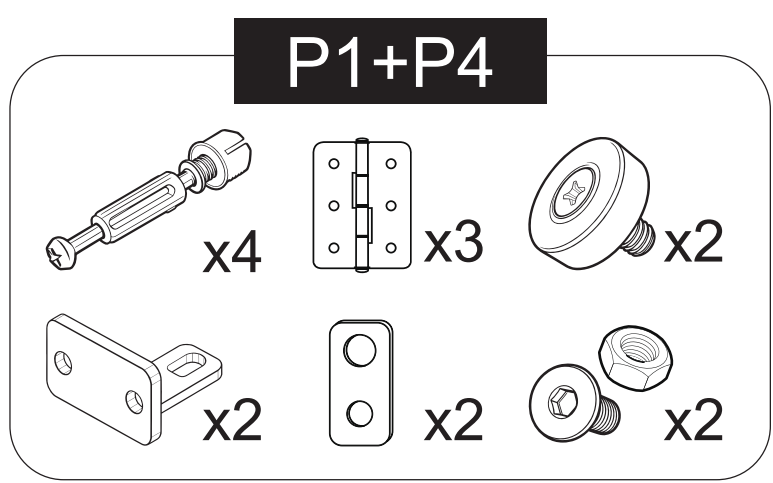


35

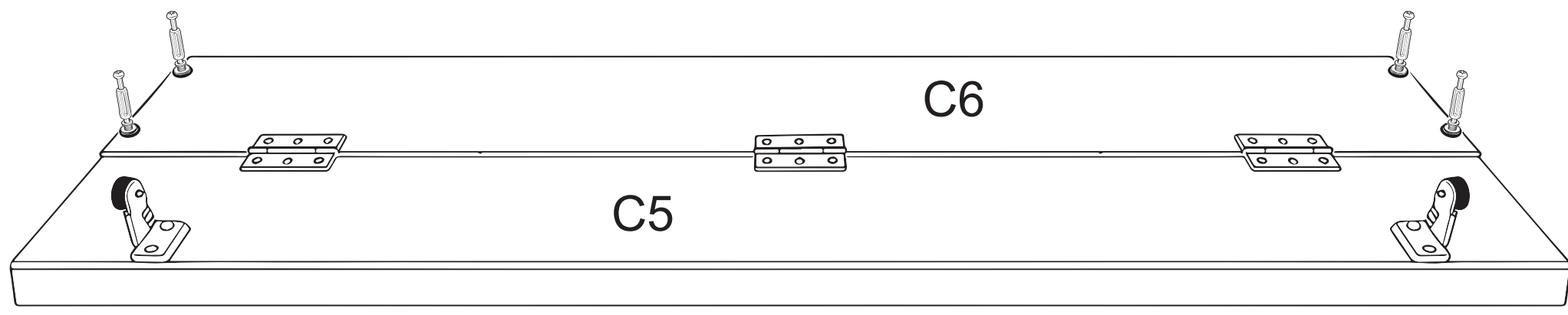


Turn sliding tray upside down. Place C4 base panel (foot pads up) on top, front edges aligned. Use long hex key (P8) to align the six holes, fasten with black long screws (P5). Flip back over.

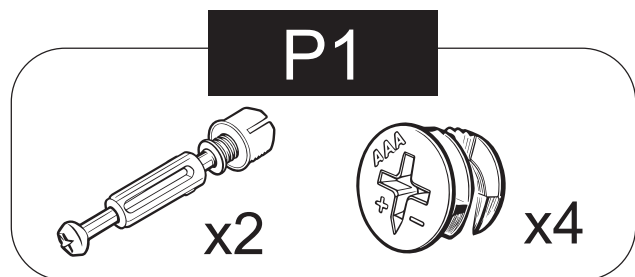
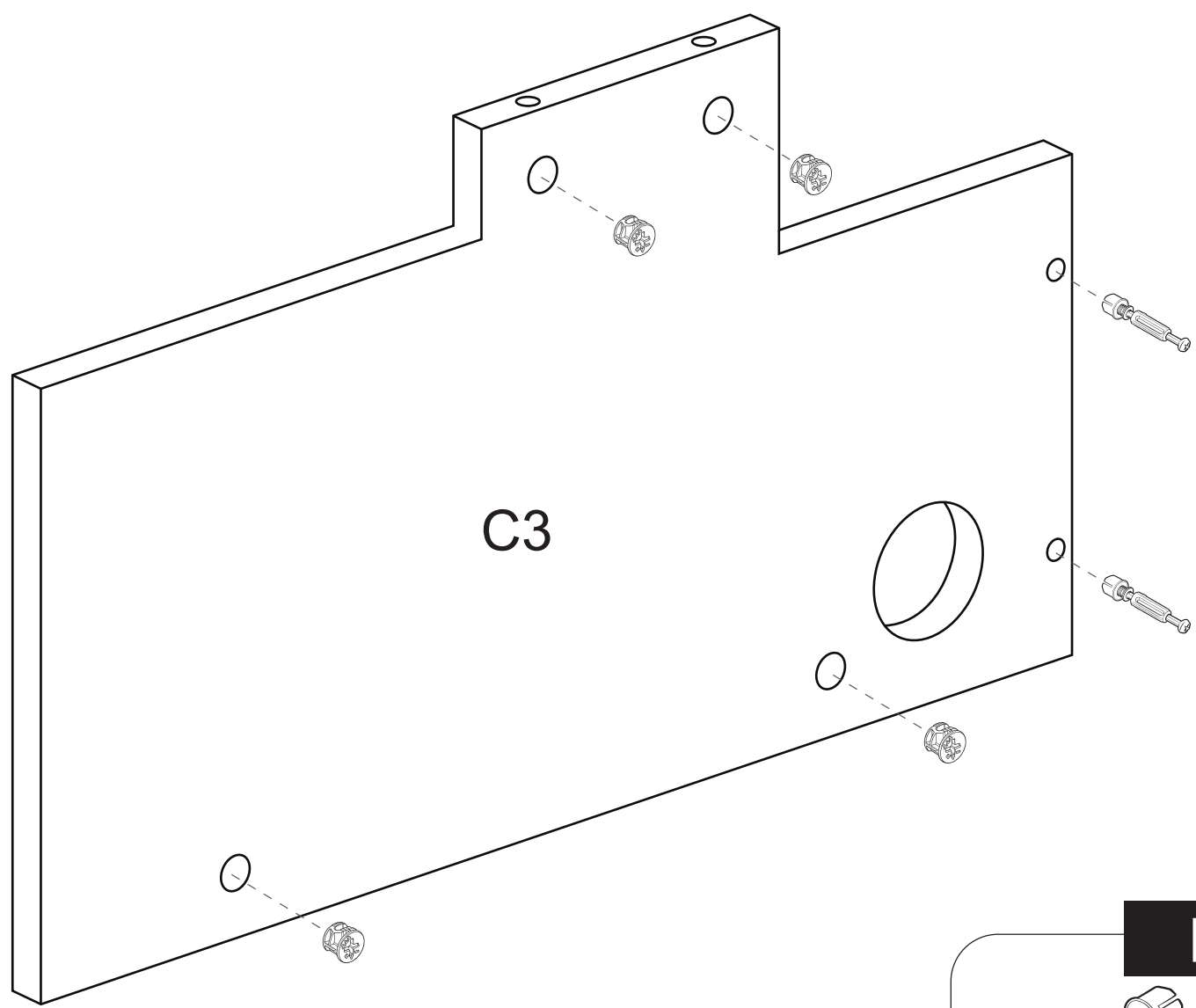
36



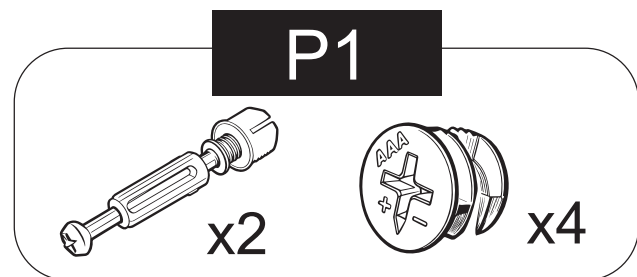
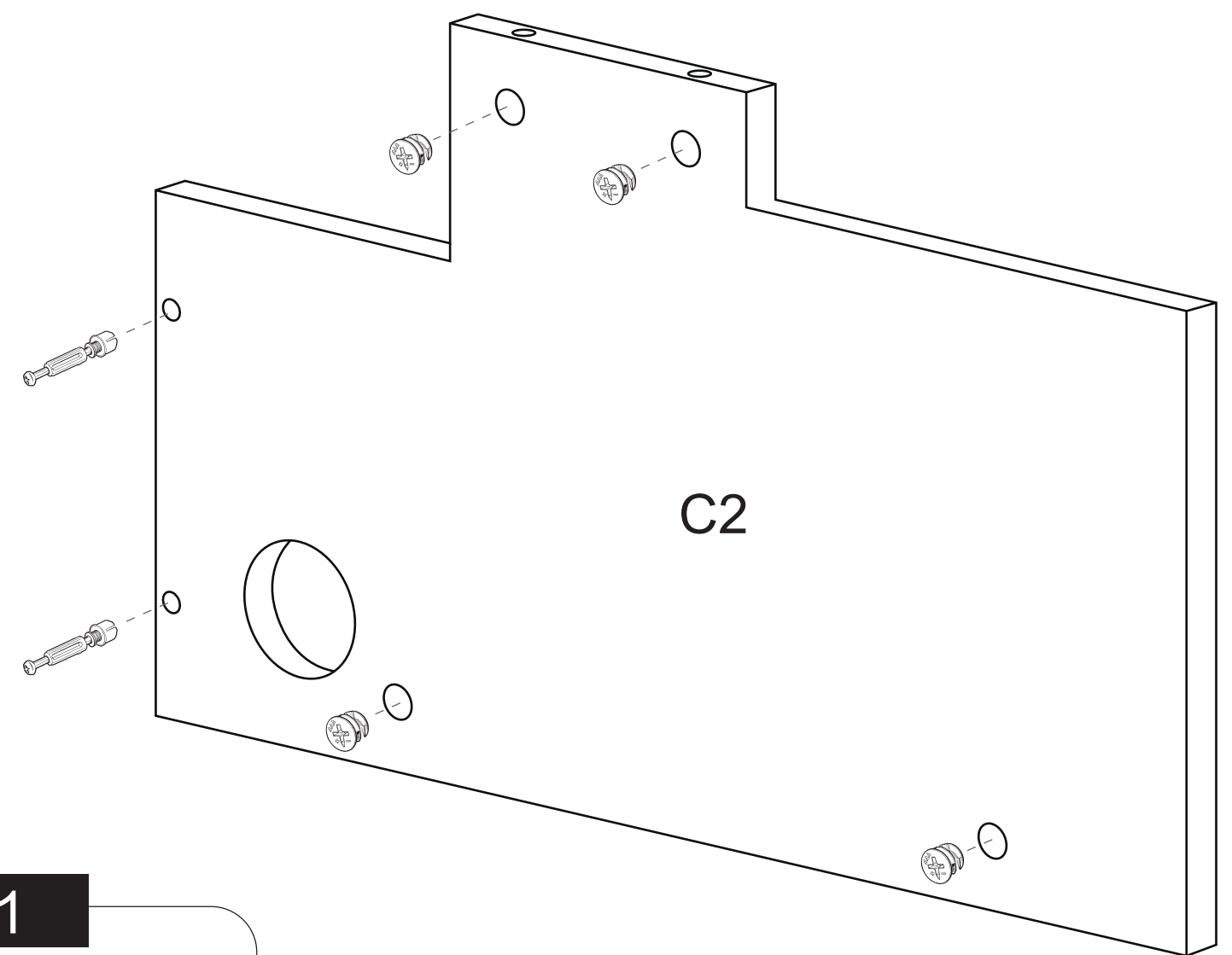
Attach the support casters as shown. Lay the C5 and C6 panels flat and perfectly aligned, then join them using three Telescopic Connectors (left, center, and right).



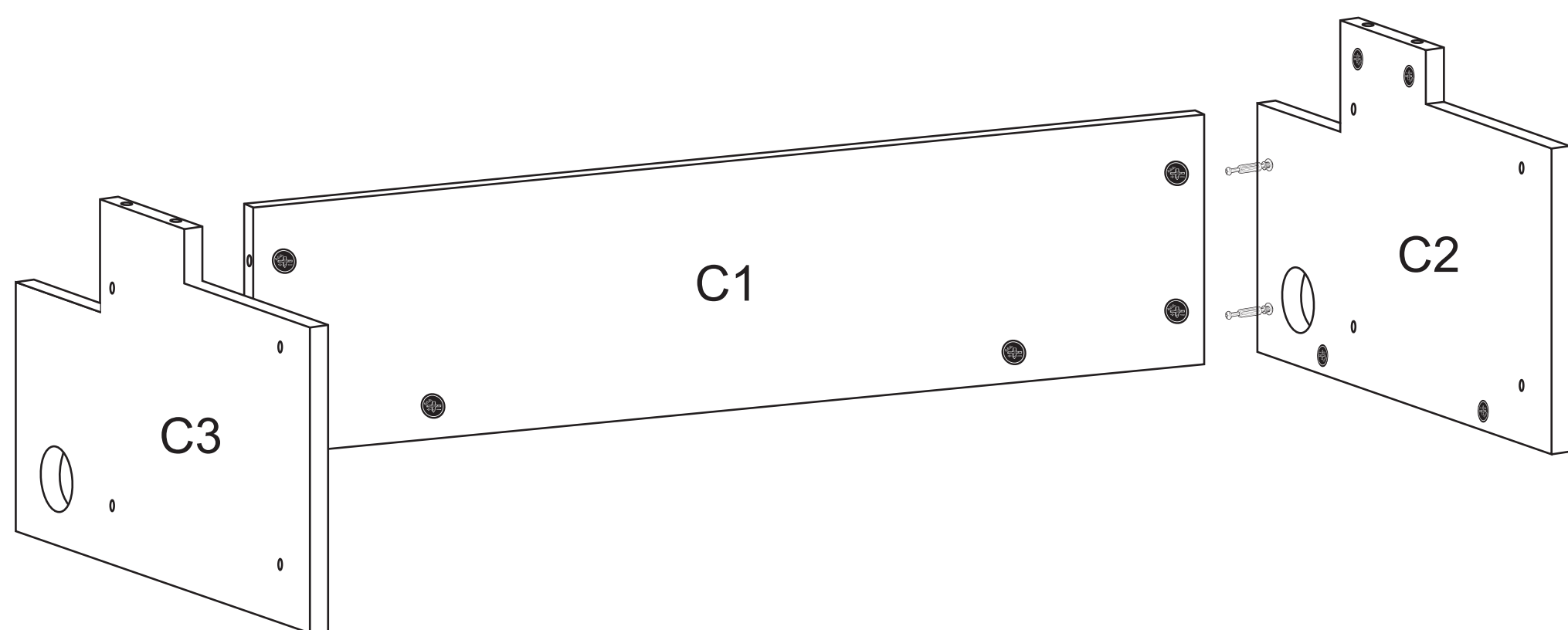
37



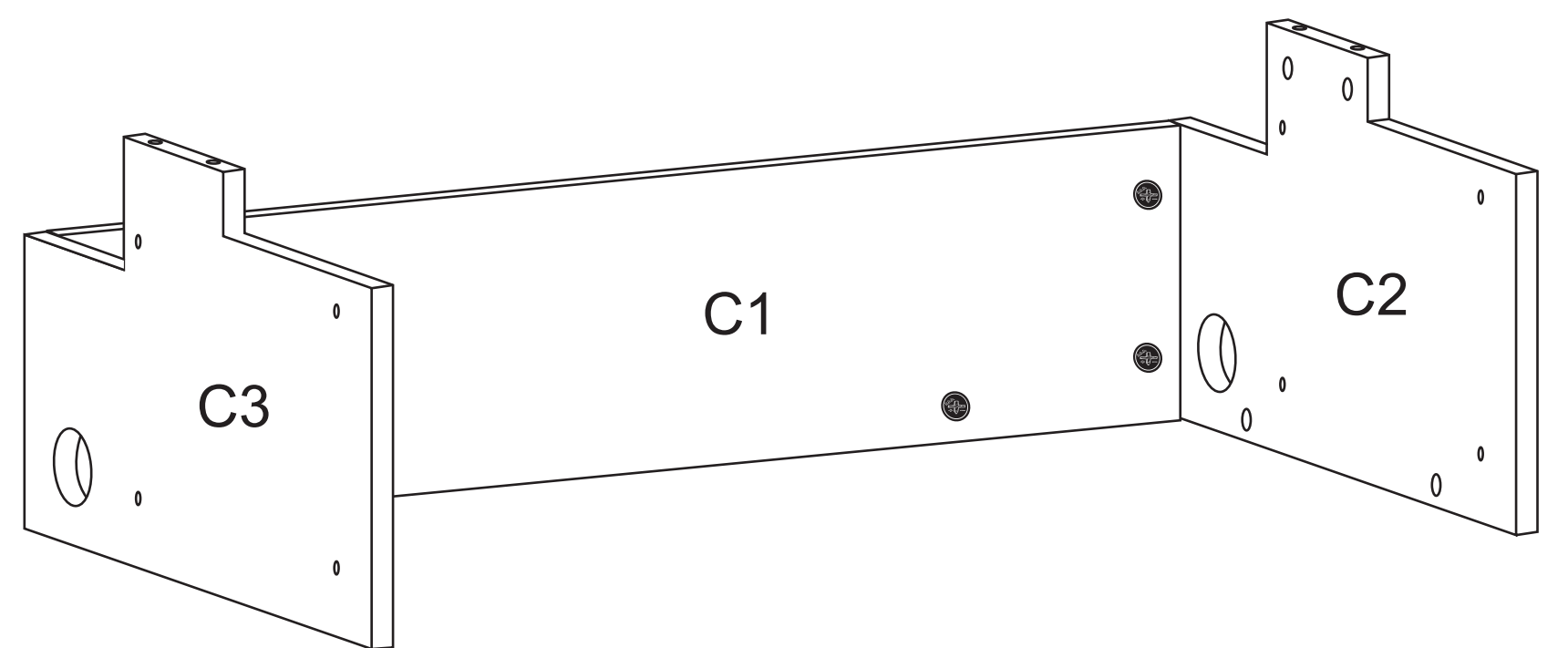
38



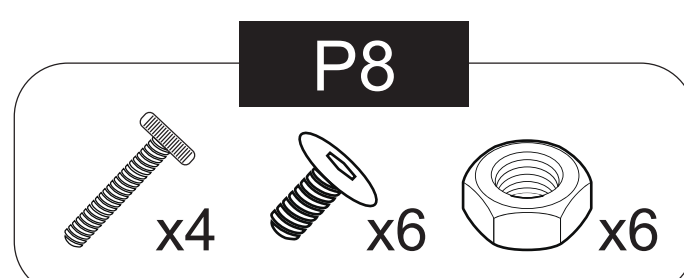
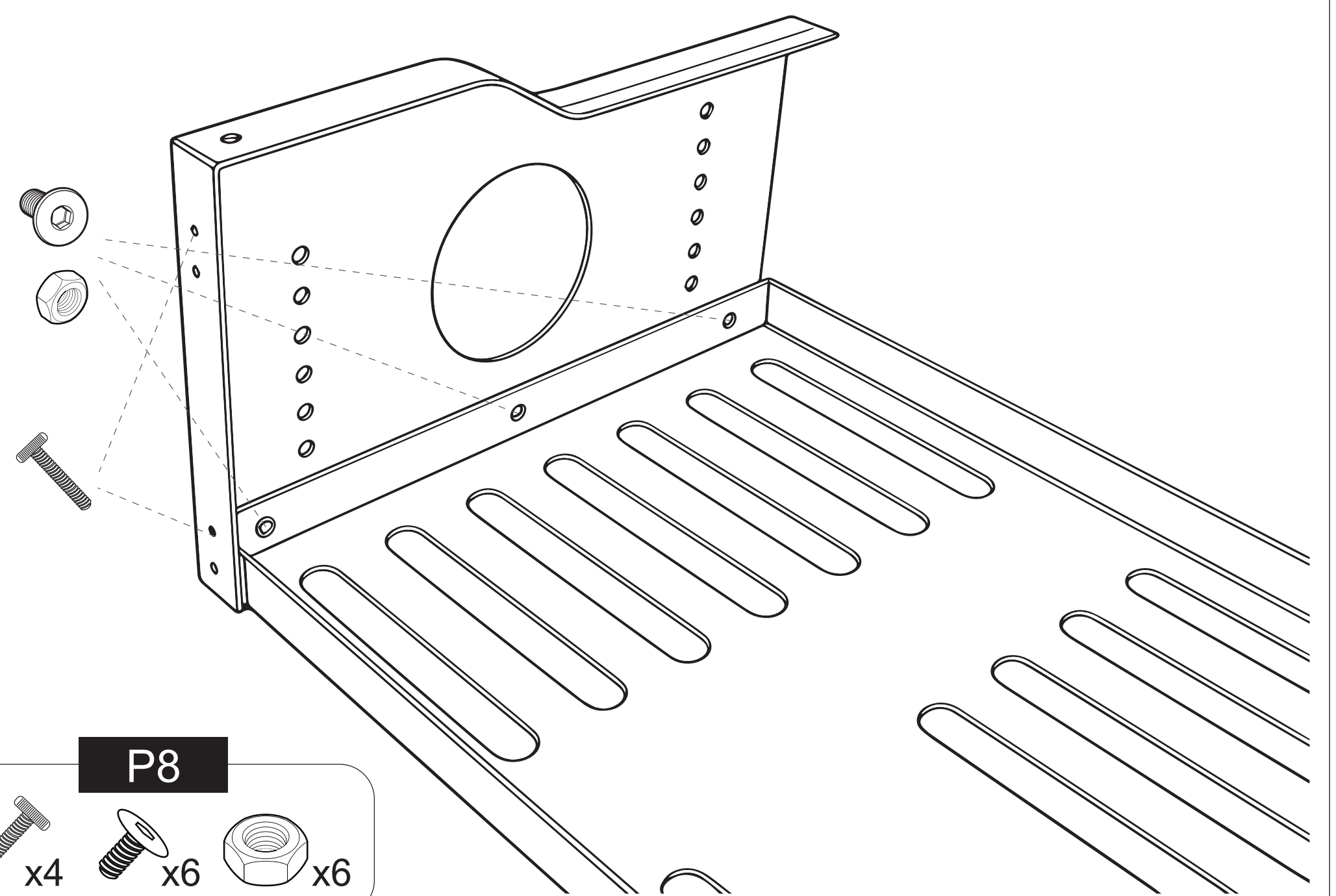
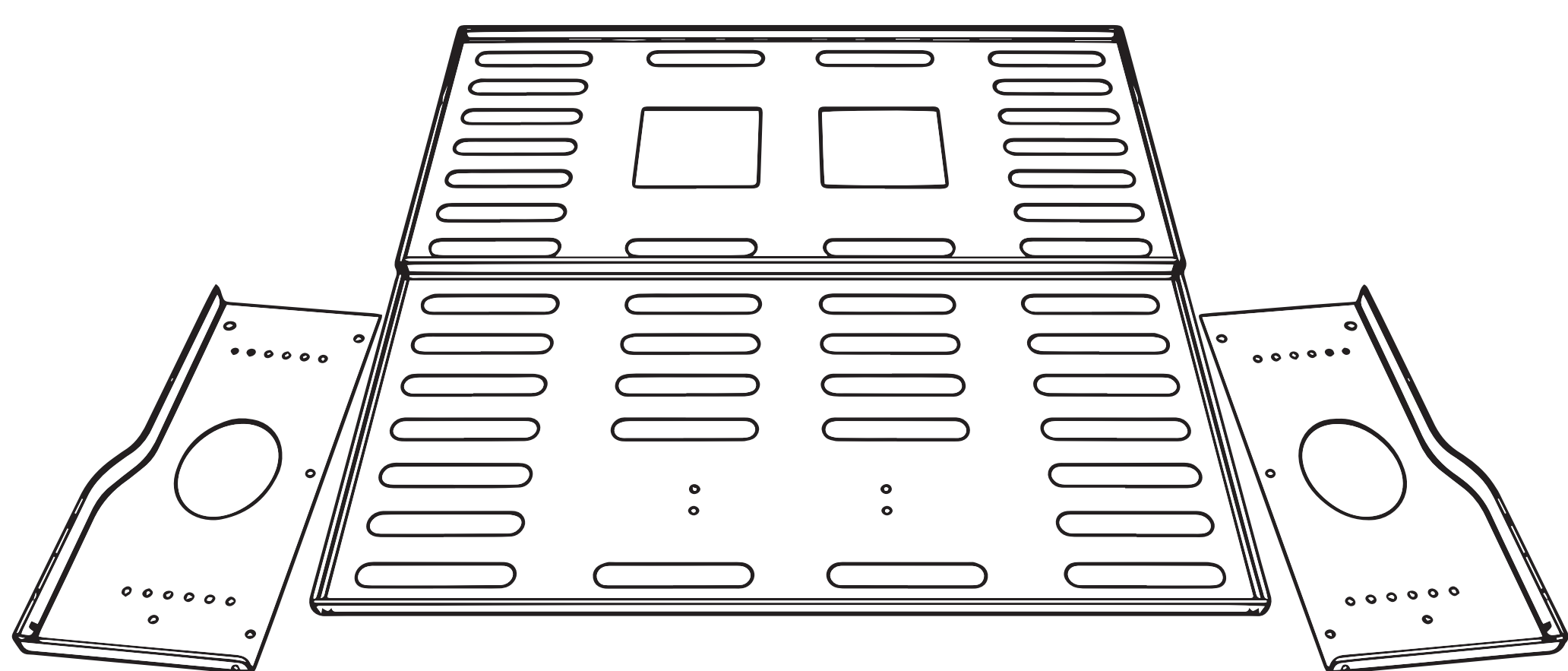
39



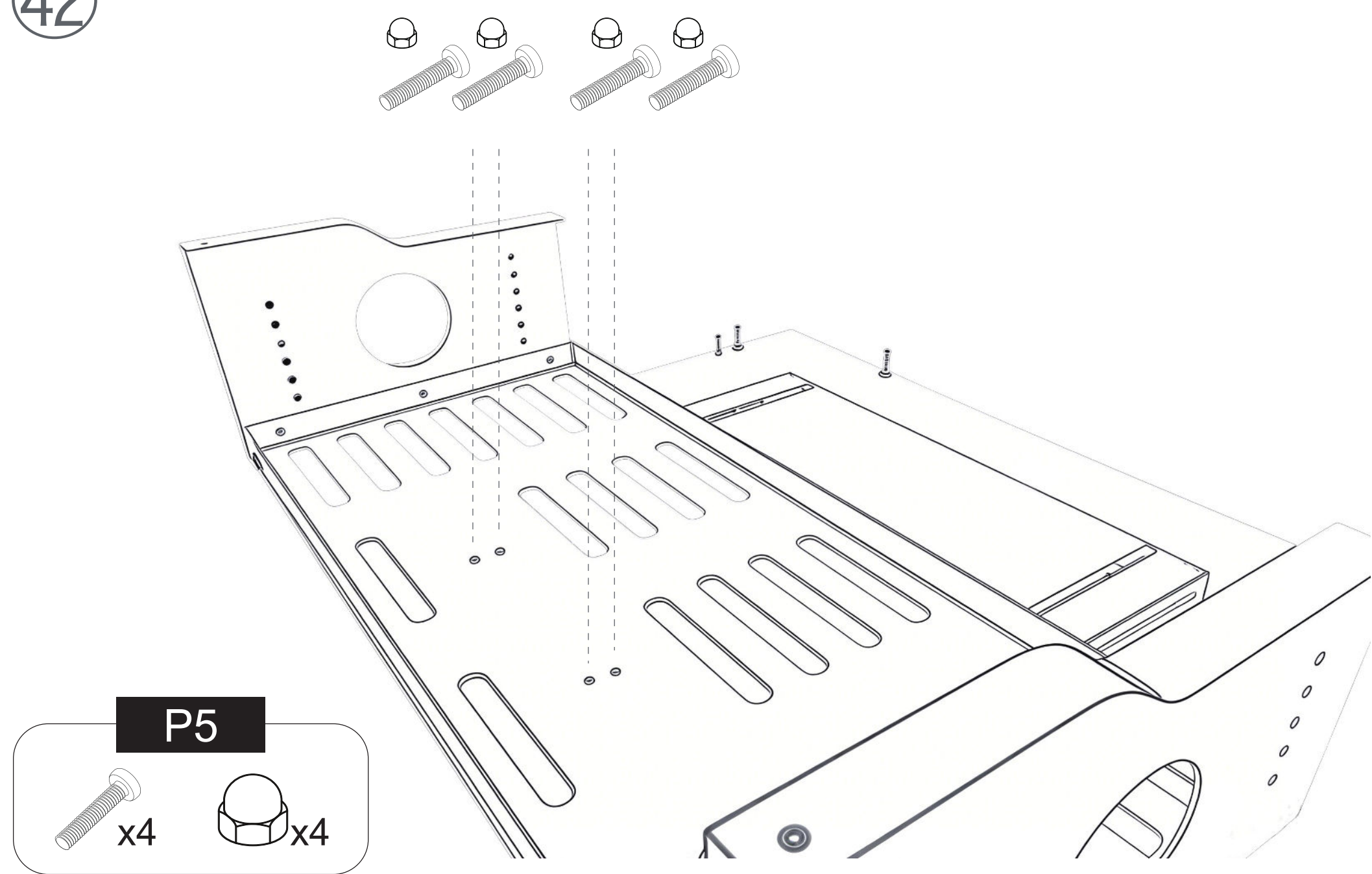
40



41



42

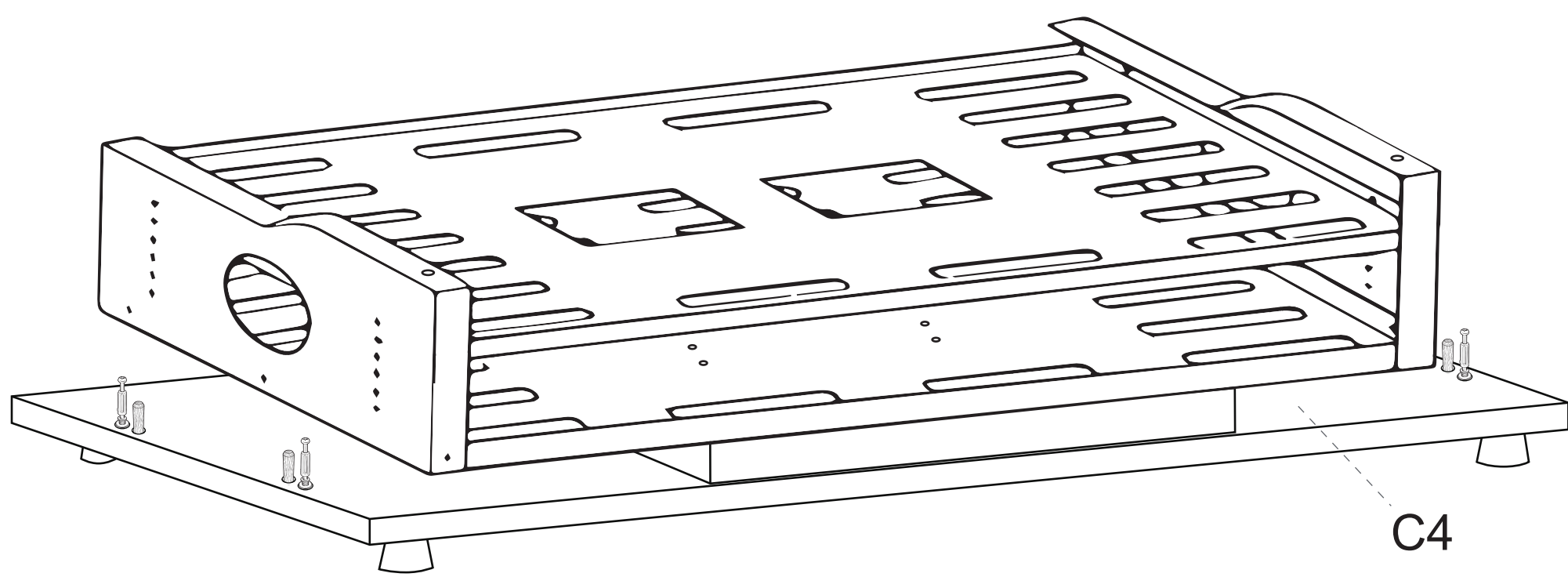


Center the metal tray on the sliding tray and pull it forward. Use short screws (P8) to fasten from bottom through the metal frame, then secure with silver nuts (P5).

P5

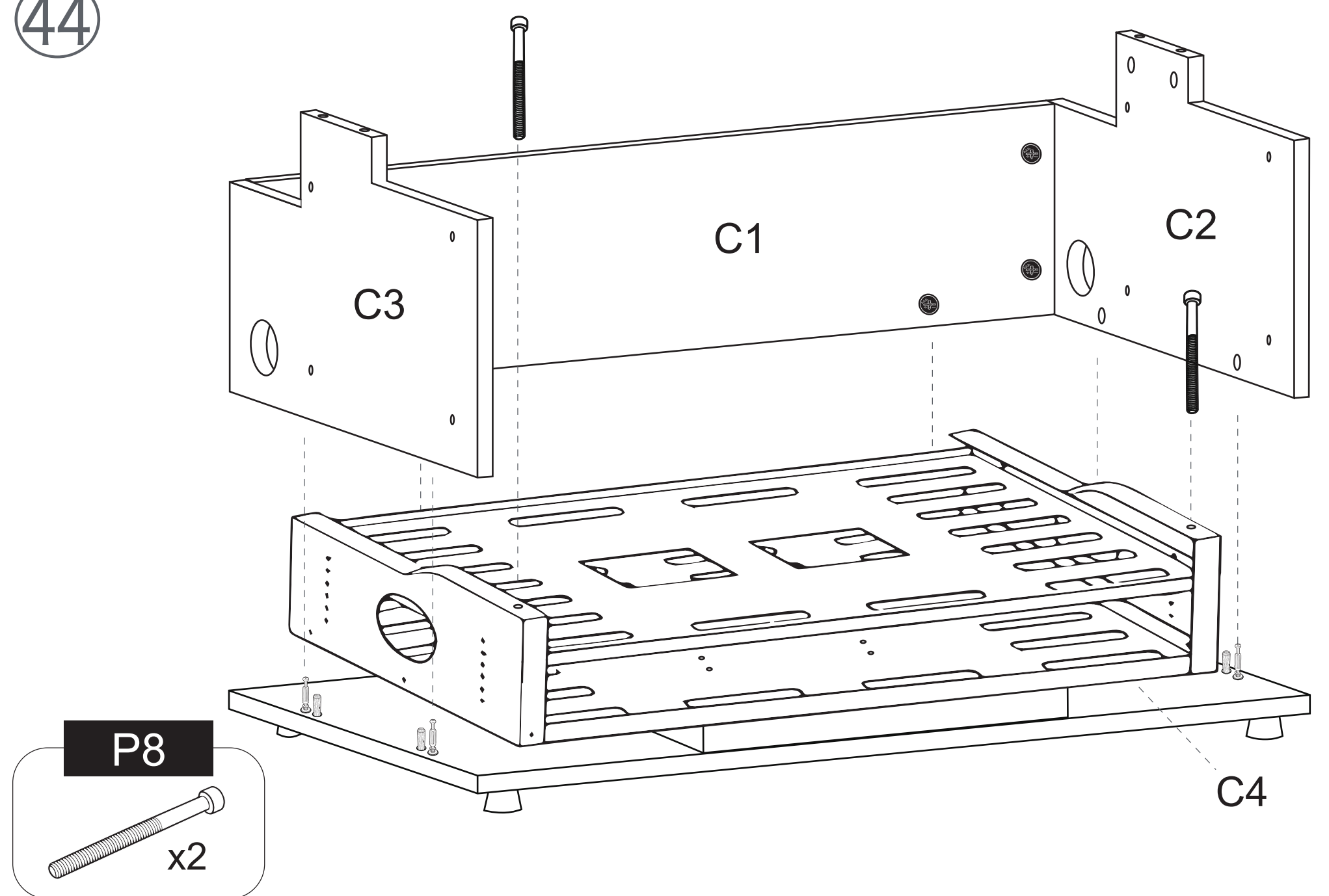
x4 x4

43



C4

44

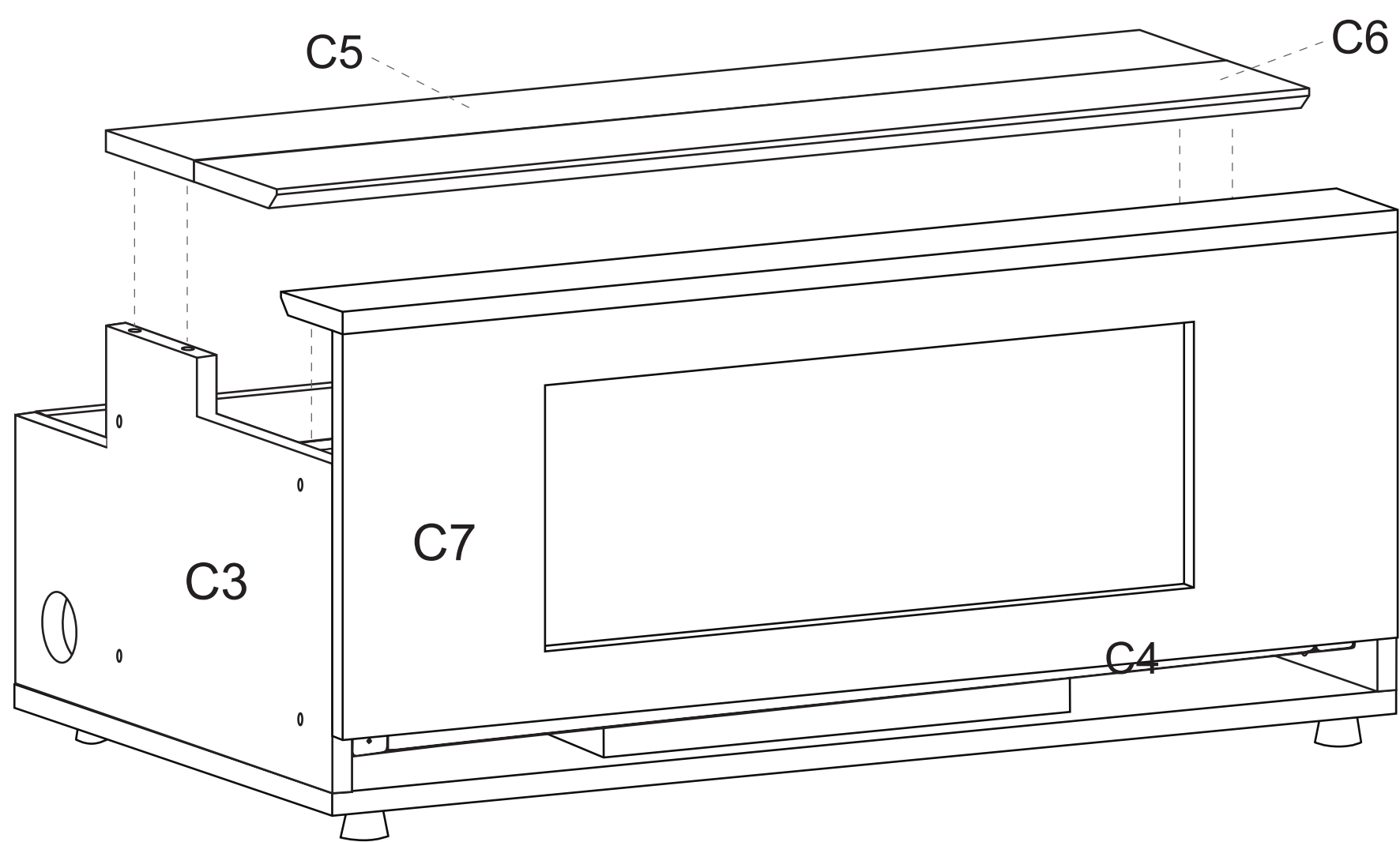


P8

x2

C4

45



C5

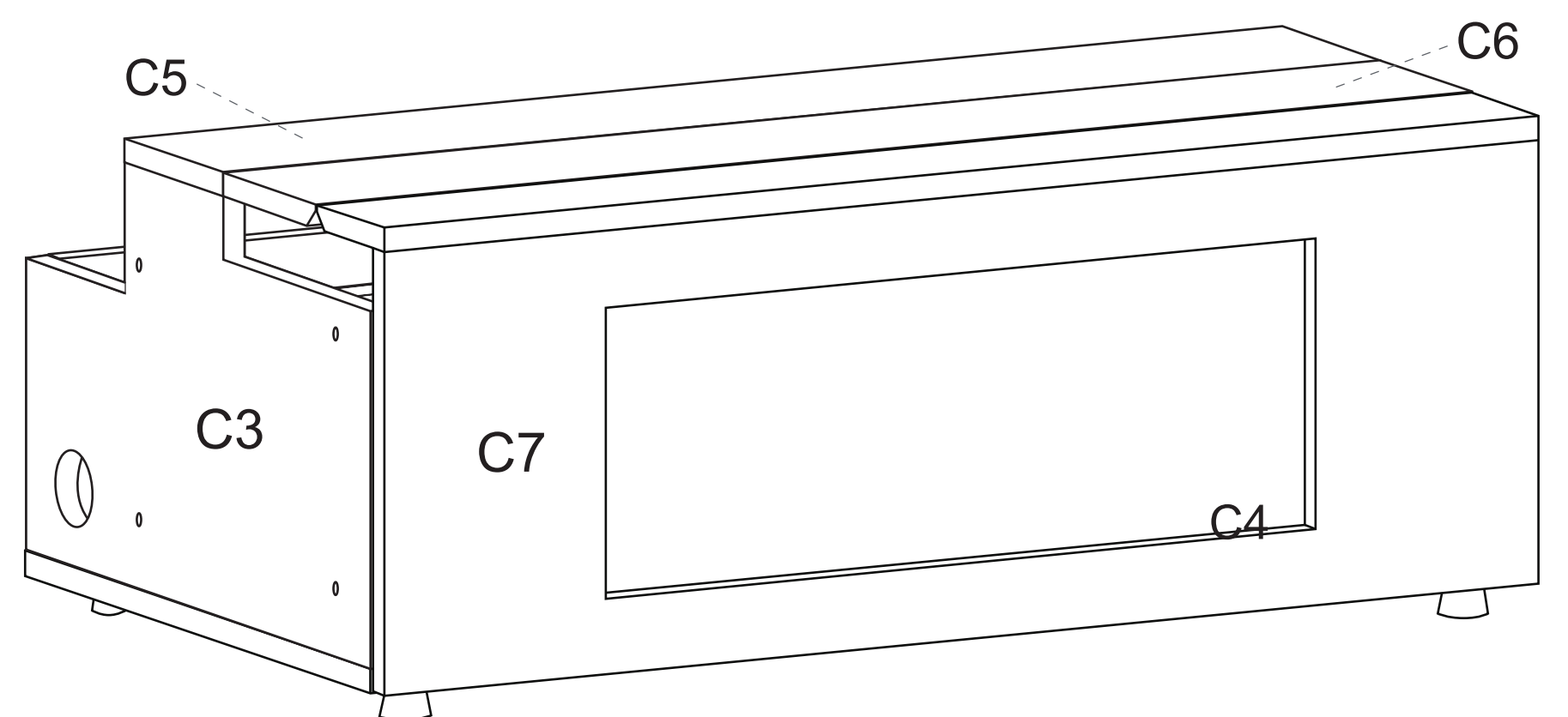
C6

C3

C7

C4

46



C5

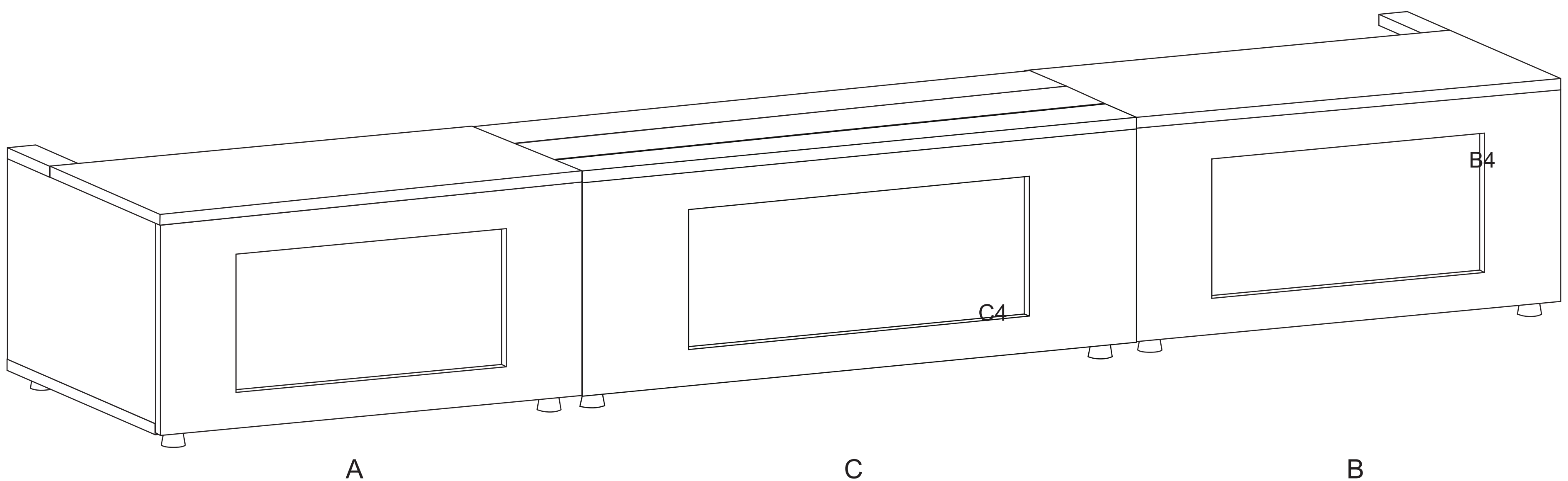
C6

C3

C7

C4

47



A

C

B

B4

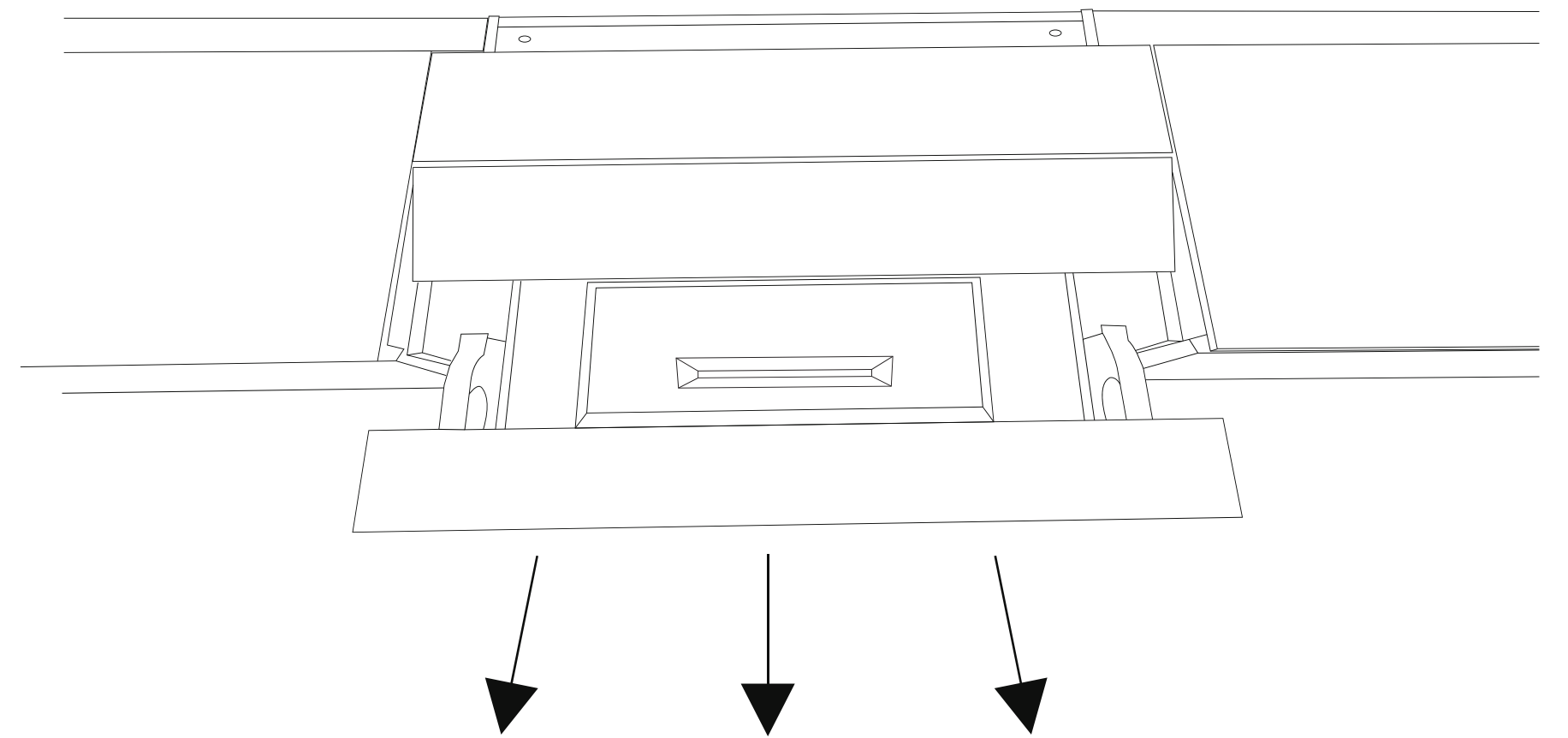
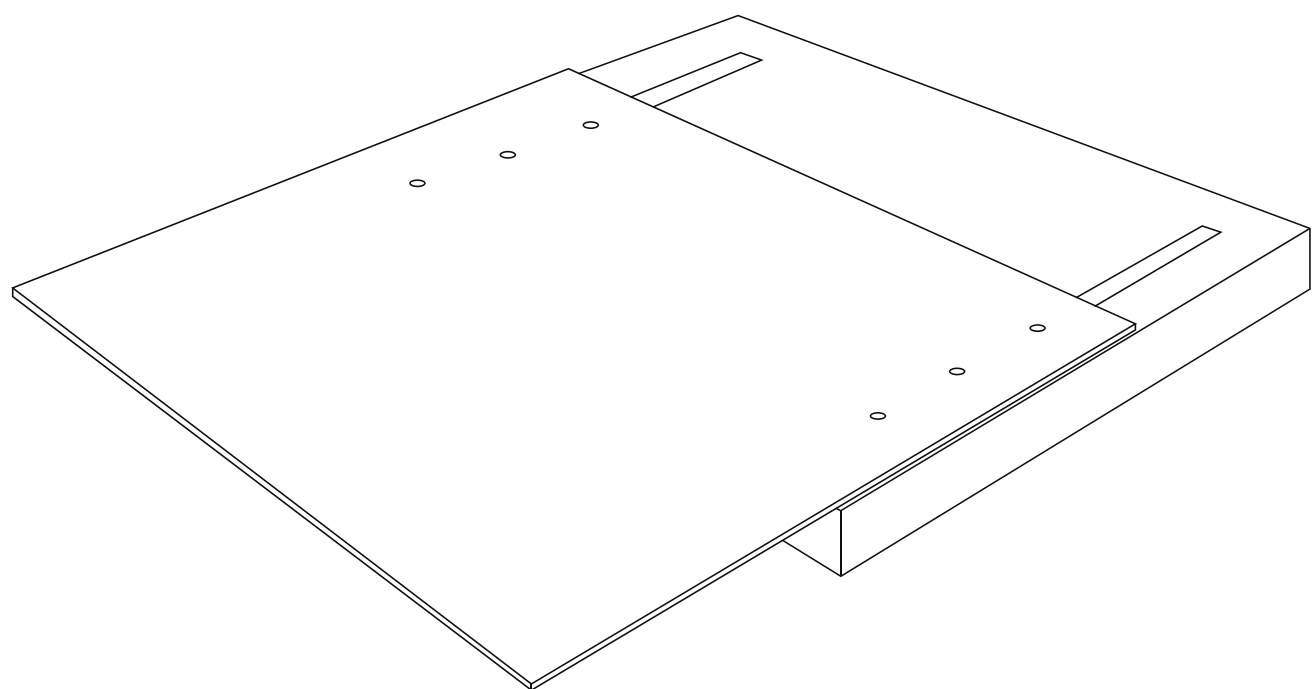
C4

1. 2 Power Connection and System Operation

1. Fix the metal brackets to the telescopic platform using screws.

2. Align the platform with the center of the TV cabinet. If there is no gap, reinforce the brackets on the back of the cabinet.

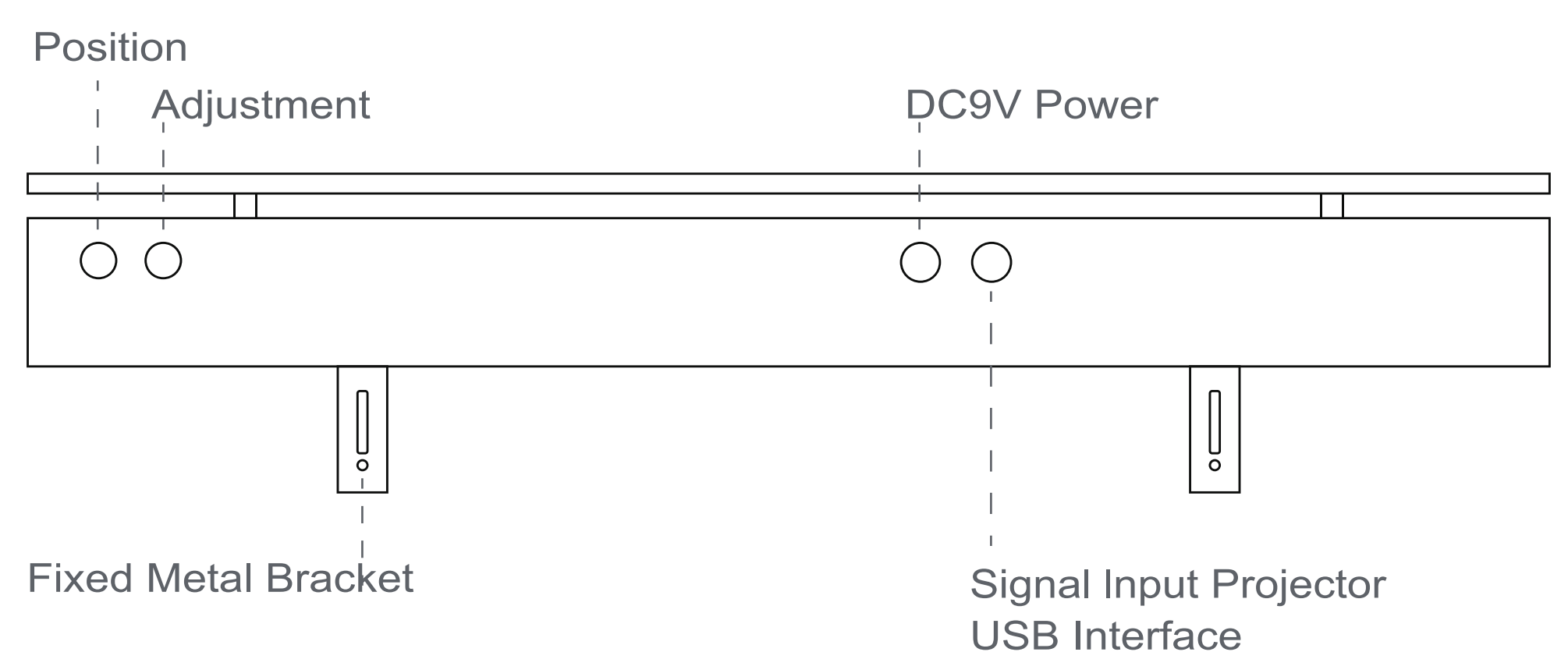
3. Place the ultra short throw laser projector on the platform, then connect its power supply and signal input.



4. Initialize Position Memory

① Press the position adjustment button on the back of the platform and wait over 30 seconds to save the projector's position.

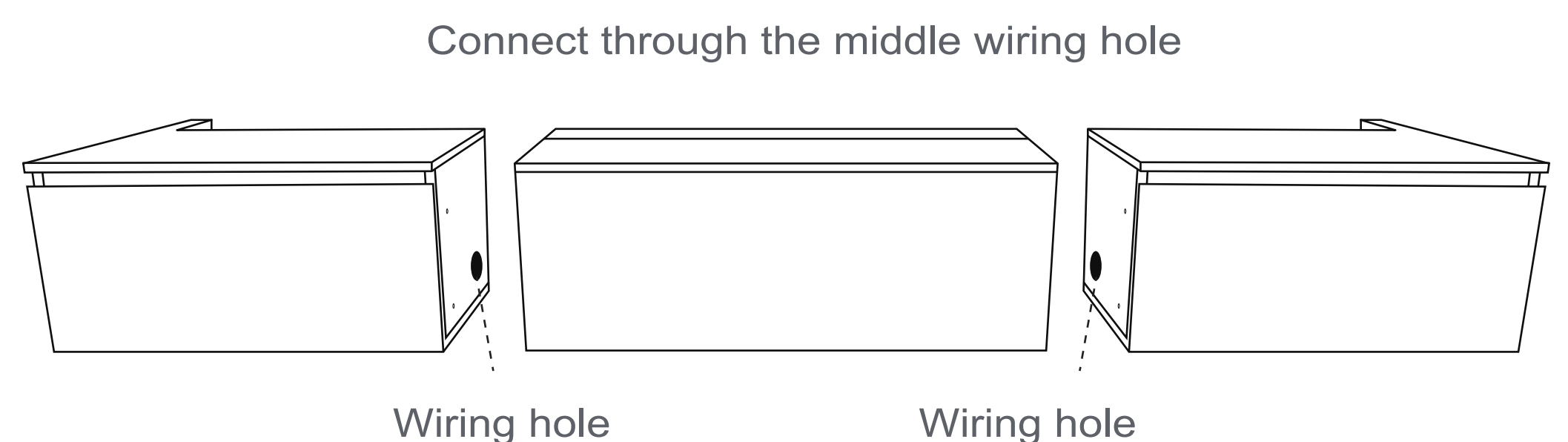
② Unplug and reconnect the power cable to restart the platform for normal operation.



5. Press the power button on the remote control to activate the telescopic platform.

6. If installing audio devices, route the power and signal cables through the middle wiring hole to maintain a clean and concealed setup.

*See the Telescopic Platform User Guide for details on how to do this



7. If the device cannot be paired, try reconnecting.

① Ensure the device is powered off.

② Disconnect the power supply to the central cabinet motor and wait for at least 30 seconds.

③ Reconnect the power to initiate pairing mode. (After reconnection, the device will automatically reset—you will hear an audible "click" from the motor resetting.)

④ Immediately after the sound, press the power button on the remote control repeatedly in quick succession.

⑤ If the device powers on, the pairing is successful.

⑥ If unsuccessful, repeat the steps above.

Once all devices are configured, ensure all power connections are secure. You can then use the projector remote control to operate the laser TV cabinet, floor rising screen, and projector with a single power button.

Notes:

① After initialization, test the platform's movement 3-5 times to ensure stability.

② No additional USB extenders are required. Simply use the remote control and power connection for full functionality.

③ Keep the power cable untangled to ensure smooth operation.

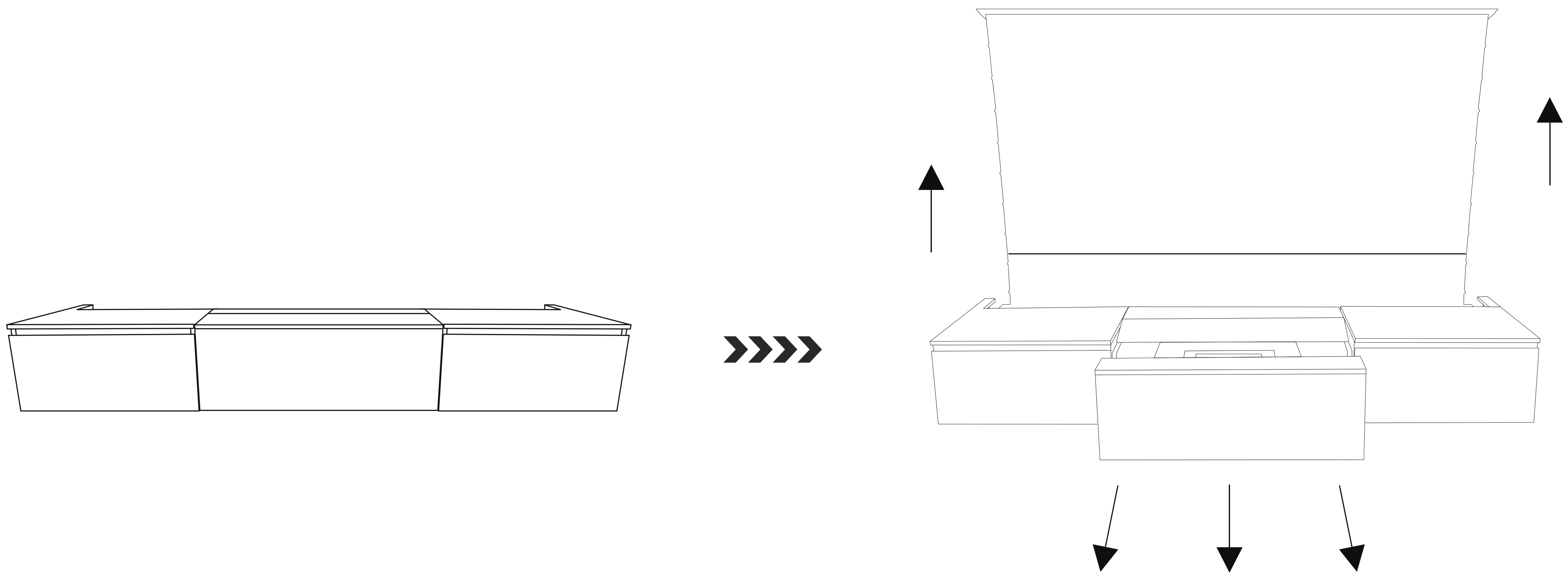
④ Maximum load capacity: 20KG. Do not exceed this limit.

Adjust Memory Position

1. Initial Testing

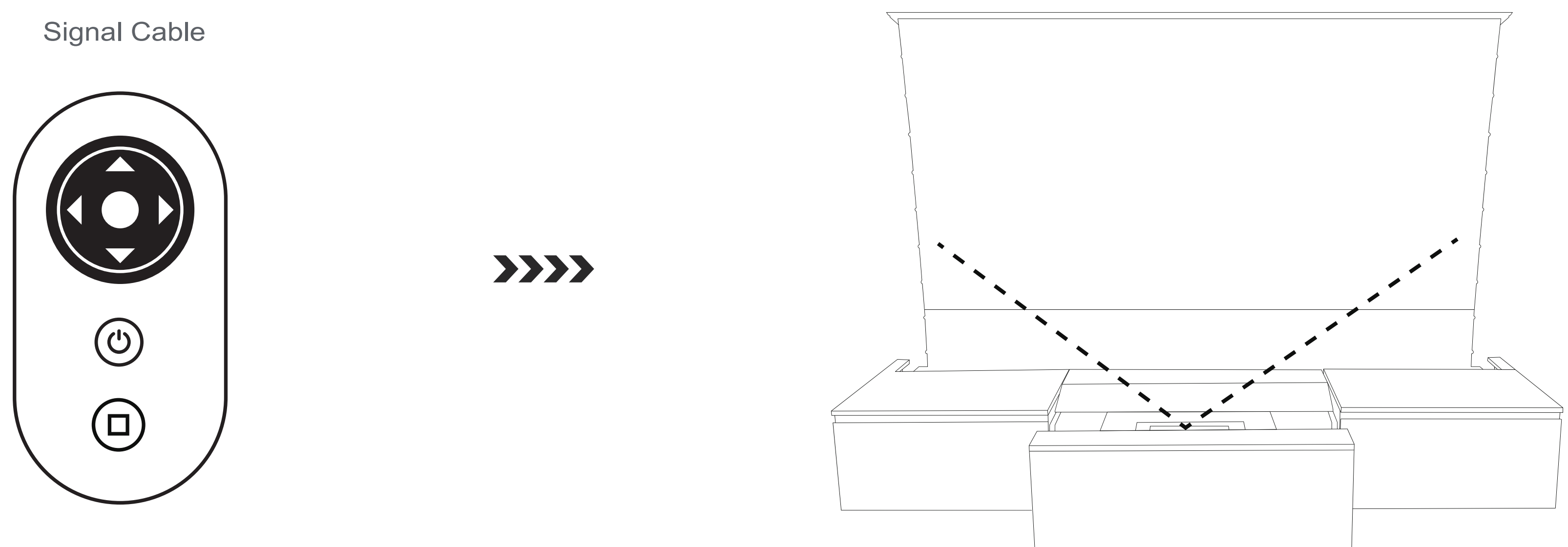
Use the remote control to turn on the projector and test if the expandable stand and floor rising screen are working properly.

If not, please check the connections of the projector, cabinet, or floor rising screen with the cable.



2. Position Calibration

After everything is working properly, use the remote control to adjust the position of the projector and screen. After adjusting to the suitable position, let it sit for more than 30 seconds, then cut off the power and restart the power of the TV cabinet to successfully save the cabinet position.



1. TV Cabinet Does Not Sync with the Projector

- ① Ensure the projector is turned on.
- ② Verify that all power and connection cables are securely plugged in.
- ③ Test the USB connection by replacing the projector with a power bank or mobile phone charger.

2. Expandable Stand Stops at the Incorrect Position

After adjusting the stand with the remote control, wait for 30 seconds before disconnecting the power.

3. Projector Cannot Fit into the Cabinet

The tray on the expandable stand is removable. Use a screwdriver to detach the tray for additional space.

4. Missing Components in the Hardware Kit

- ① If you find any parts missing during the installation process, please contact our customer service team immediately via email.
- ② Provide your order number and a photo of the missing components.
- ③ We will arrange complimentary replacement of missing components.